

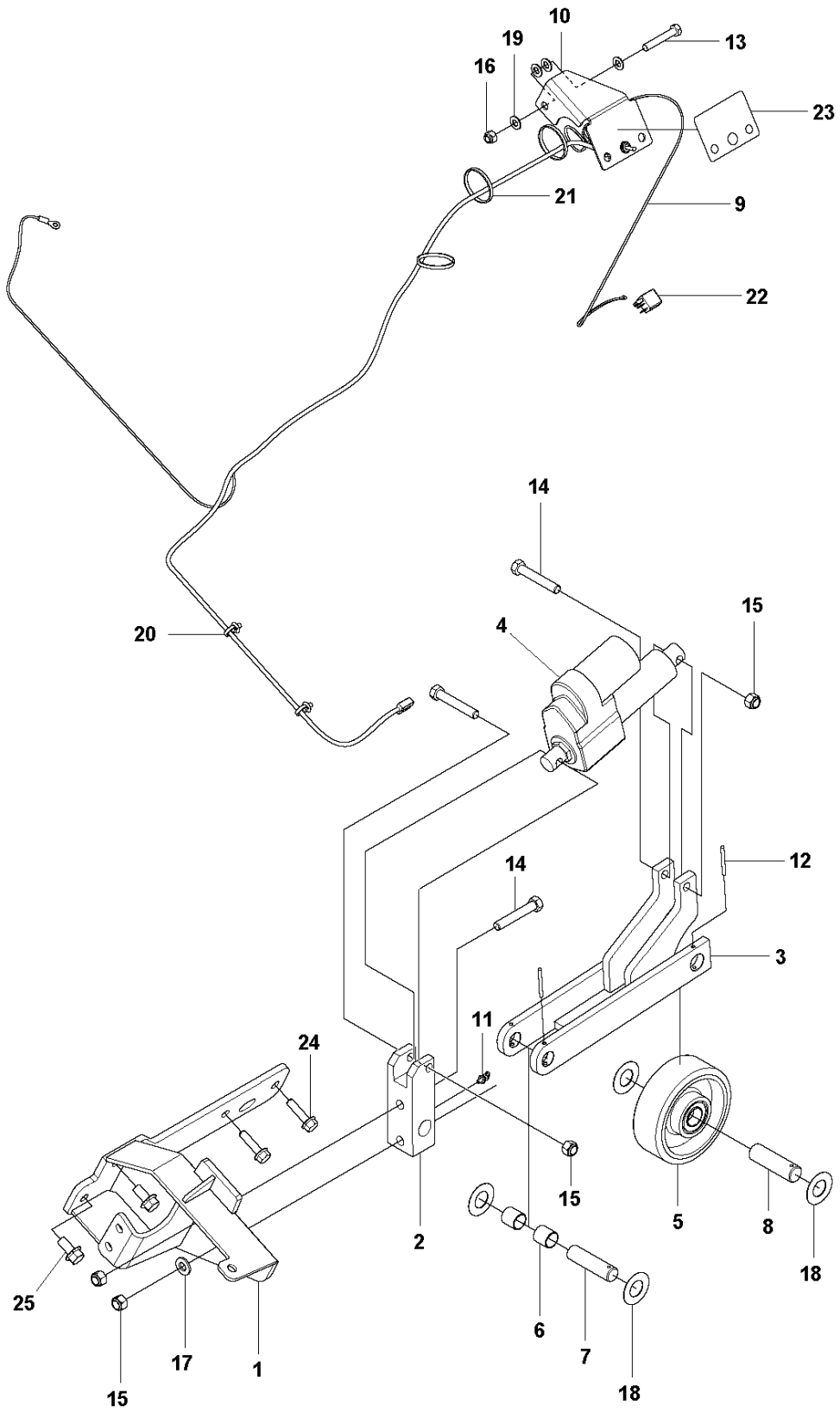


SPARE PARTS LIST

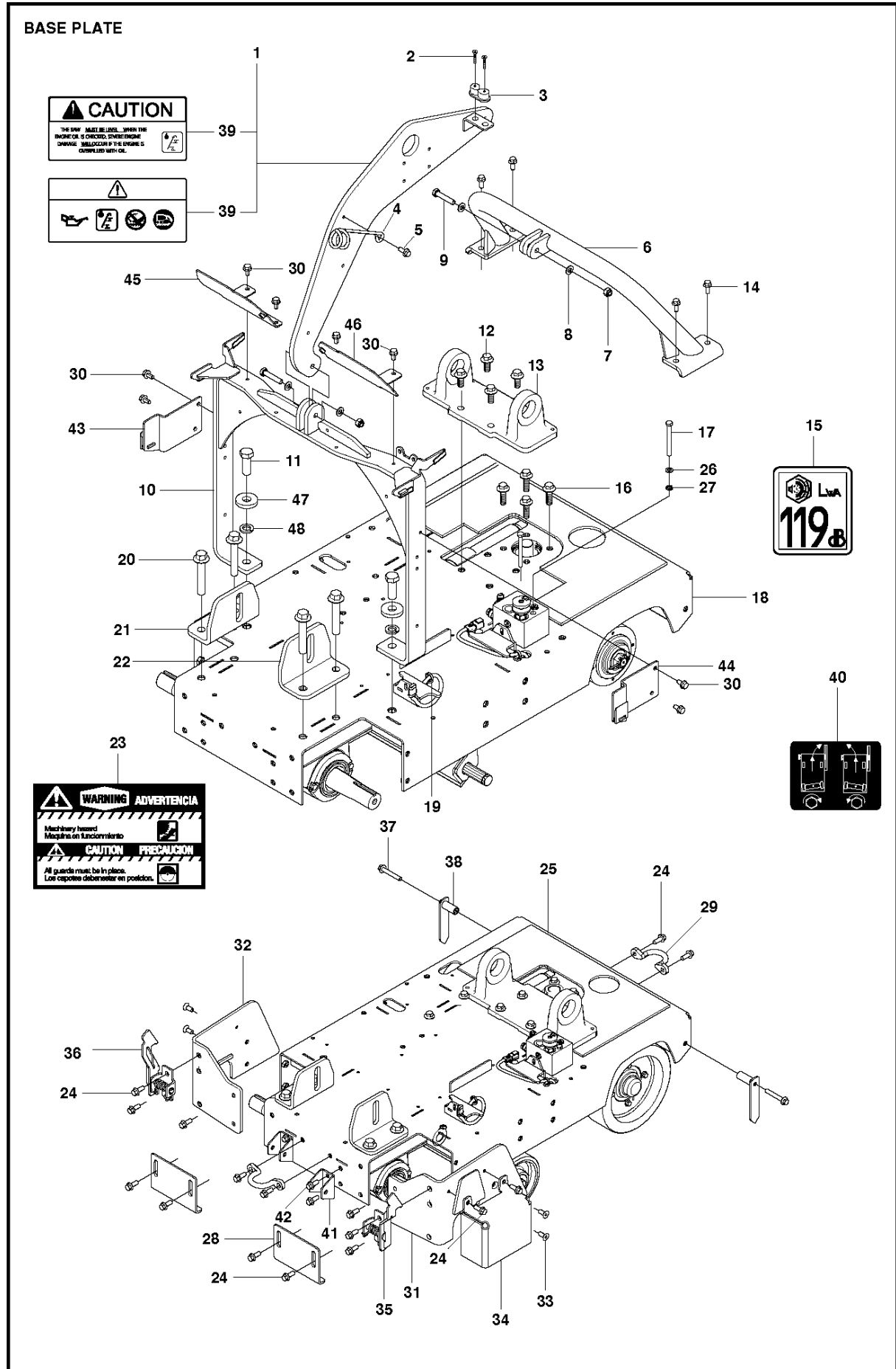
FLOOR SAWS

FS5000, 2015-05

AF FS5000
5th WHEEL ASSEMBLY



Ref	Part No	Description	Remark	QTY KIT
1	501 70 37-01	BRACKET		1
2	574 85 90-03	PIVOT		1
3	574 85 33-01	LIFTING ARM		1
4	502 28 76-02	CYLINDER		1
5	590 64 98-01	WHEEL		1
6	575 63 11-01	BEARING BUSH		2
7	574 85 33-04	LIFTING ARM		1
8	574 85 33-05	LIFTING ARM		1
9	501 15 16-01	WIRING HARNESS		1
10	581 98 93-01	BRACKET		1
11	542 16 42-97	GREASE		1
12	541 20 51-33	PEN		2
13	725 25 01-76	SCREW EHHM		1
14	542 02 14-04	SCREW		4
15	539 10 13-31	NUT		4
16	732 25 20-01	HEXAGON LOCKING NUT		1
17	539 99 02-50	WASHER		1
18	542 04 64-02	WASHER		4
19	734 11 72-01	WASHER		4
20	583 95 95-01	CLAMP		2
21	542 19 71-01	CABLE		4
22	581 07 45-01	RELAY		1
23	582 52 10-01	DECAL		1
24	585 97 53-01	SCREW EHHFM		2
25	585 23 59-01	SCREW EHHFM		2

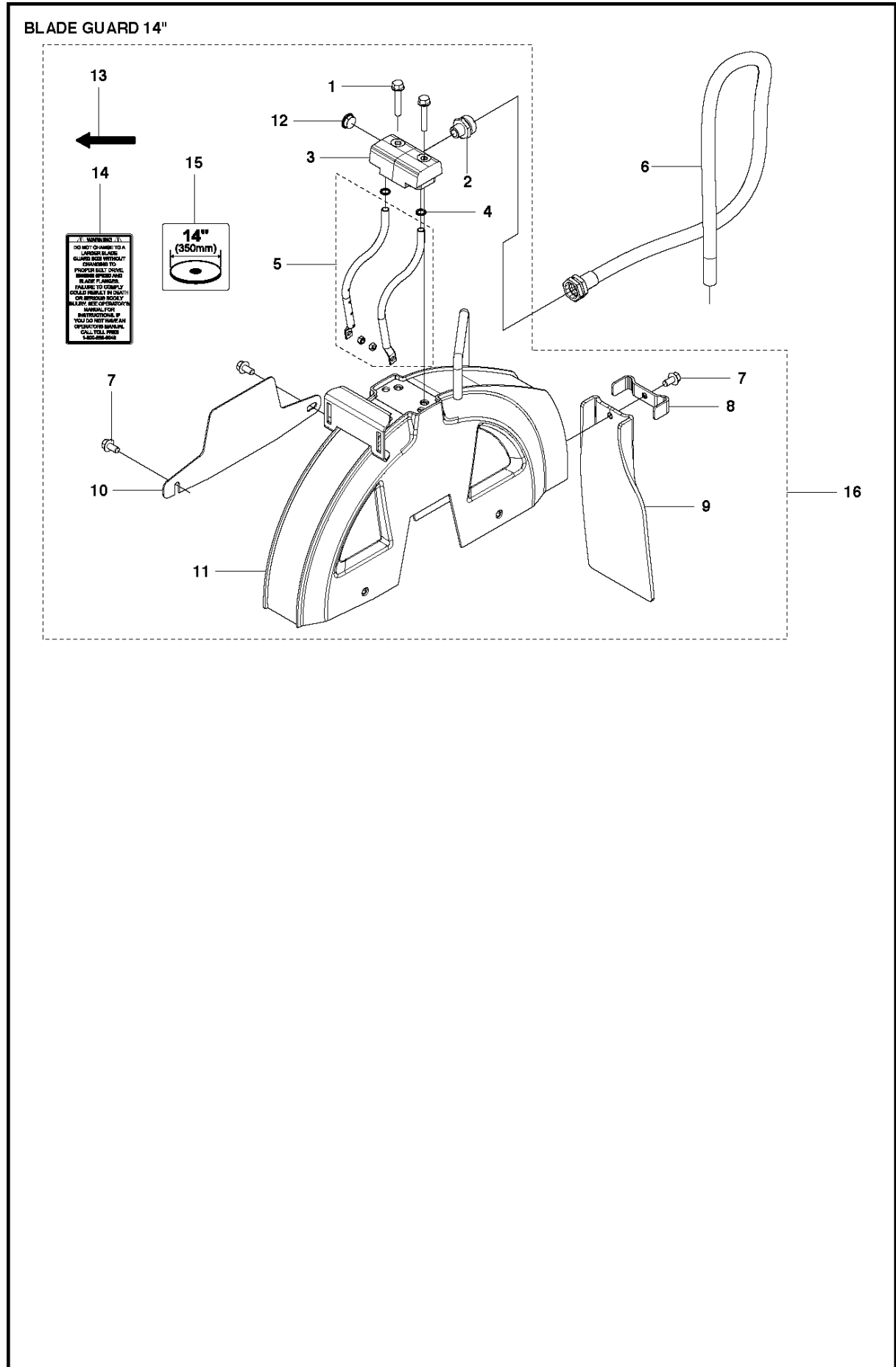


BASE PLATE

FS5000, 2015-05

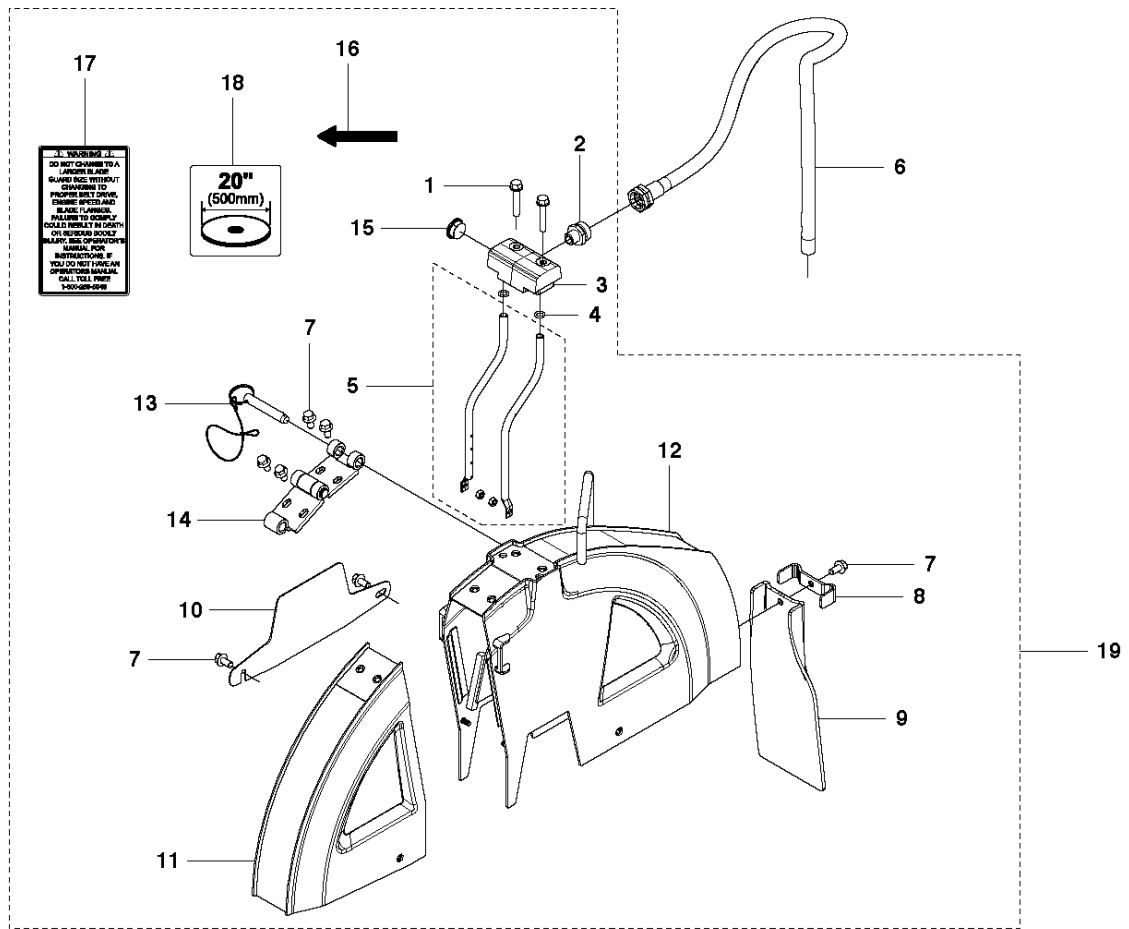
Ref	Part No	Description	Remark	QTY KIT
1	586 83 06-01	PLATE		1
2	581 24 33-01	SCREW EHHFM		1
3	731 43 20-01	HEXAGON THIN NUT		1
4	505 18 91-01	BRACKET		1
5	585 97 54-01	SCREW EHHFM		1
6	583 84 42-01	BRACKET		1
7	732 25 20-01	HEXAGON LOCKING NUT		2
8	734 11 72-01	WASHER		4
9	725 25 01-76	SCREW EHHM		2
10	586 66 66-01	BRACKET		1
11	542 18 83-24	BOLT		2
12	576 65 48-03	SCREW EHHFM		4
13	588 95 72-01	SUPPORT KIT	Includes brackets (pos.13-14 engine mount)	1
14	585 98 04-01	SCREW EHHFM		4
15	542 19 60-29	DECAL		1
16	576 65 48-04	SCREW EHHFM		4
17	725 24 69-51	SCREW EHHM		2
18	579 32 97-01	BASEPLATE		1
19	583 95 95-01	CLAMP		3
20	581 24 94-04	SCREW EHHFM		4
21	579 72 73-01	MOUNT	Right Side	1
22	579 72 72-01	MOUNT	Left Side	1
23	542 17 62-23	DECAL	US Only	3
24	585 97 31-01	SCREW EHHFM		16
25	581 16 73-01	INSULATOR		1
26	734 11 63-01	WASHER		2
27	735 11 64-01	SPRING WASHER		2
28	588 83 19-01	GUARD		2
29	504 58 03-02	LOOP		2
30	585 97 56-01	SCREW EHHFM		8
31	585 43 23-01	BRACKET	Left Side	1
32	585 43 25-01	BRACKET	Right Side	1
33	725 64 93-51	SCREW IHCSFM		4
34	579 36 21-01	BRACKET		1
35	581 10 61-01	LOCK	Left Side	1
36	581 10 60-01	LOCK	Right Side	1
37	581 24 33-01	SCREW EHHFM		2
38	581 11 52-01	POINTER		2
39	521 88 53-02	DECAL	US Only	1
39	586 46 75-01	DECAL	CE Only	1
40	542 19 94-35	DECAL		1
41	579 35 94-01	BRACKET		2
42	585 97 31-01	SCREW EHHFM		4
43	586 14 13-01	BRACKET	Right Side	1
44	586 14 11-01	BRACKET	Left Side	1
45	586 00 41-01	PROTECTION	Right Side	1
46	586 00 42-01	PROTECTION	Left Side	1
47	542 16 03-93	WASHER		2
48	539 99 03-33	WASHER		2

Ref	Part No	Description	Remark	QTY KIT
2	531 30 24-20	FUSE	20 A Fuse	3
3	531 30 24-21	FUSE	25 A Fuse	2
5	581 07 45-01	RELAY	25 A Relay	4
1	581 41 21-01	FUSE	60 A Fuse	2
4	581 07 46-01	RELAY	70 A Relay	2
6	531 30 24-19	FUSE	15 A Fuse	1
7	581 33 36-01	ELECTRICAL SYSTEM		1
8	501 69 62-01	FUSE HOLDER		1



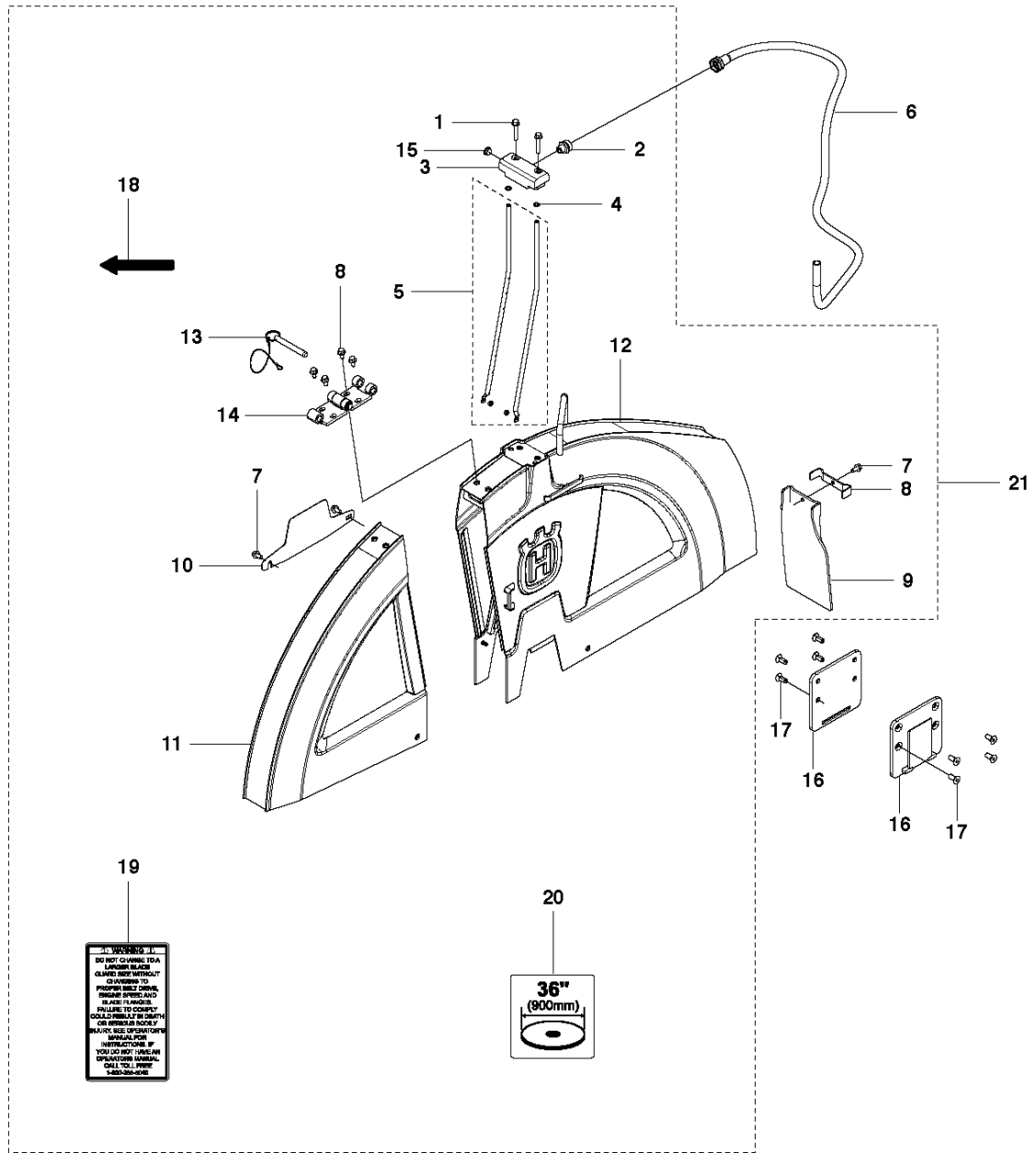
Ref	Part No	Description	Remark	QTY	KIT
1	585 17 39-01	SCREW EHHFM		2	16
2	541 20 82-96	HYDRAULIC KIT		1	16
3	581 15 72-01	MANIFOLD		1	16
4	740 43 07-00	O-RING		2	16
5	586 01 89-01	PIPE		1	16
6	584 90 45-01	HOSE	1-Speed	1	
6	584 90 45-02	HOSE	3-Speed	1	
7	725 24 49-61	SCREW EHHFT		3	16
8	581 60 30-01	PLATE		1	16
9	581 60 51-01	SPLASH GUARD		1	16
10	581 34 29-01	BLADE GUARD		1	16
11	579 42 35-01	BLADE GUARD		1	16
12	581 16 04-01	PLUG		1	16
13	585 40 72-01	DECAL		1	16
14	585 29 95-01	DECAL	US Only	1	16
15	586 30 74-01	DECAL		1	16
16	586 34 31-01	BLADE GUARD	US Only	1	
16	586 34 31-02	BLADE GUARD	CE Only	1	

BLADE GUARD 20", 26", 30"



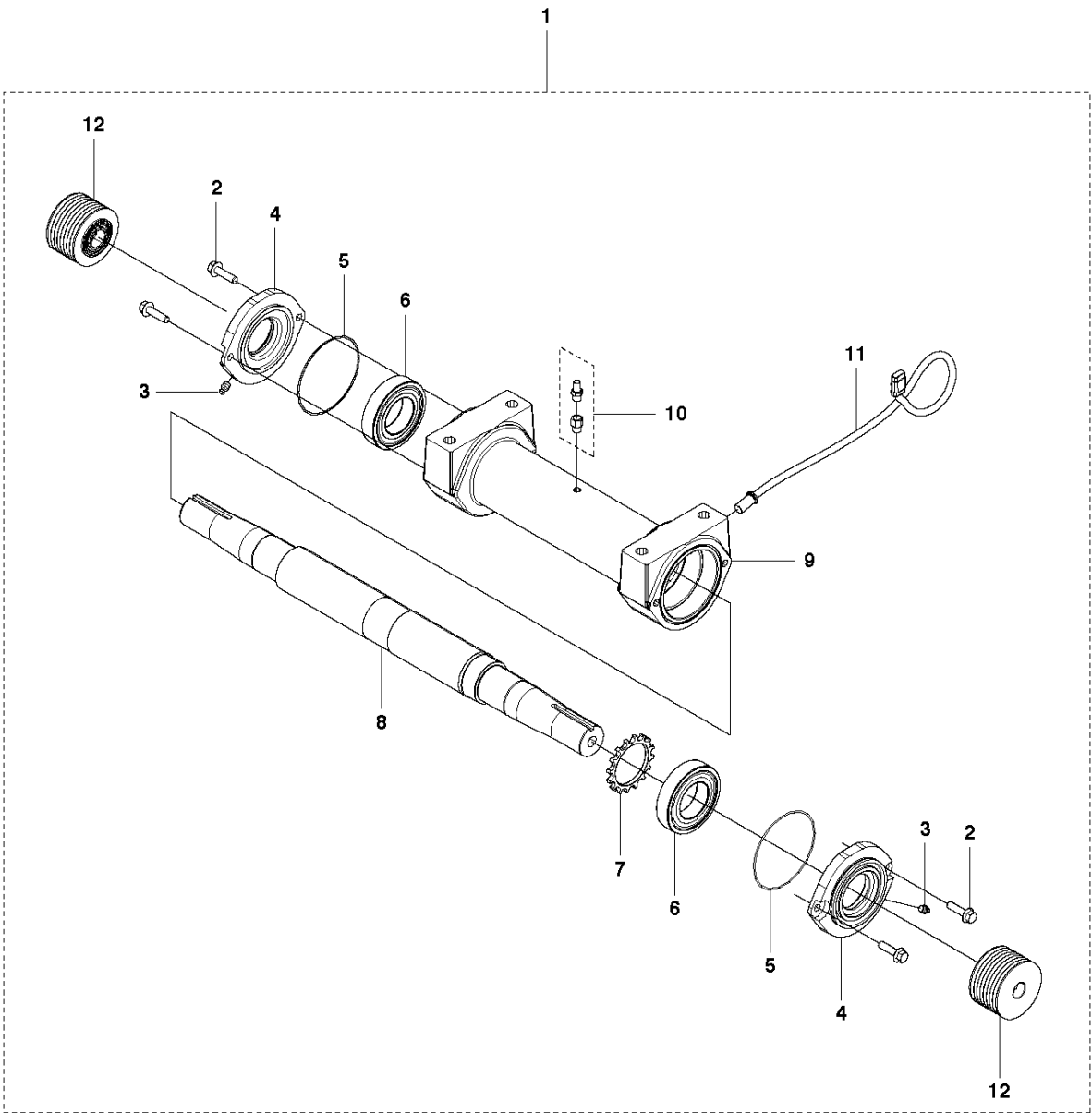
Ref	Part No	Description	Remark	QTY	KIT
1	585 17 39-01	SCREW EHHFM		2	19
2	541 20 82-96	HYDRAULIC KIT		1	19
3	581 15 72-01	MANIFOLD		1	19
4	740 43 07-00	O-RING		2	19
5	586 01 90-01	PIPE	20"	1	19
5	586 01 91-01	PIPE	26"	1	19
5	586 01 92-01	PIPE	30"	1	19
6	584 90 45-01	HOSE	1-Speed	1	
6	584 90 45-02	HOSE	3-Speed	1	
7	725 24 49-61	SCREW EHHFT		7	19
8	581 60 30-01	PLATE		1	19
9	581 60 51-01	SPLASH GUARD		1	19
10	581 34 29-01	BLADE GUARD		1	19
11	579 46 79-01	BLADE GUARD	20"	1	19
11	579 50 96-01	BLADE GUARD	26"	1	19
11	579 52 32-01	BLADE GUARD	30"	1	19
12	579 46 78-01	BLADE GUARD	20"	1	19
12	579 50 92-01	BLADE GUARD	26"	1	19
12	579 51 09-01	BLADE GUARD	30"	1	19
13	585 07 42-01	PEN		1	19
14	581 30 95-01	HINGE		1	19
15	581 16 04-01	PLUG		1	19
16	585 40 72-01	DECAL		1	19
17	585 29 95-01	DECAL	US Only	1	19
18	586 30 75-01	DECAL	20"	1	19
18	586 30 76-01	DECAL	26"	1	19
18	586 30 77-01	DECAL	30"	1	19
19	586 34 32-01	BLADE GUARD	20" US Only"	1	
19	586 34 32-02	BLADE GUARD	20" CE Only"	1	
19	586 34 33-01	BLADE GUARD	26" US Only"	1	
19	586 34 33-02	BLADE GUARD	26" CE Only"	1	
19	586 34 34-01	BLADE GUARD	30" US Only"	1	
19	586 34 34-02	BLADE GUARD	30" CE Only"	1	

BLADE GUARD 36"



Ref	Part No	Description	Remark	QTY	KIT
1	585 17 39-01	SCREW EHHFM		2	21
2	541 20 82-96	HYDRAULIC KIT		1	21
3	581 15 72-01	MANIFOLD		1	21
4	740 43 07-00	O-RING		2	21
5	586 01 93-01	PIPE		1	21
6	584 90 45-01	HOSE	1-Speed	1	
6	584 90 45-02	HOSE	3-Speed	1	
7	725 24 49-61	SCREW EHHFT		7	21
8	581 60 30-01	PLATE		1	21
9	581 60 51-01	SPLASH GUARD		1	21
10	581 34 29-01	BLADE GUARD		1	21
11	579 54 02-01	BLADE GUARD		1	21
12	579 53 25-01	BLADE GUARD		1	21
13	585 07 42-01	PEN		1	21
14	581 30 95-01	HINGE		1	21
15	581 16 04-01	PLUG		1	21
16	579 60 83-01	BRACKET		2	
17	725 64 93-51	SCREW IHCSFM		8	
18	585 40 72-01	DECAL		1	21
19	585 29 95-01	DECAL	US Only	1	21
20	586 30 78-01	DECAL		1	21
21	586 34 35-01	BLADE GUARD	US Only	1	
21	586 34 35-02	BLADE GUARD	CE Only	1	

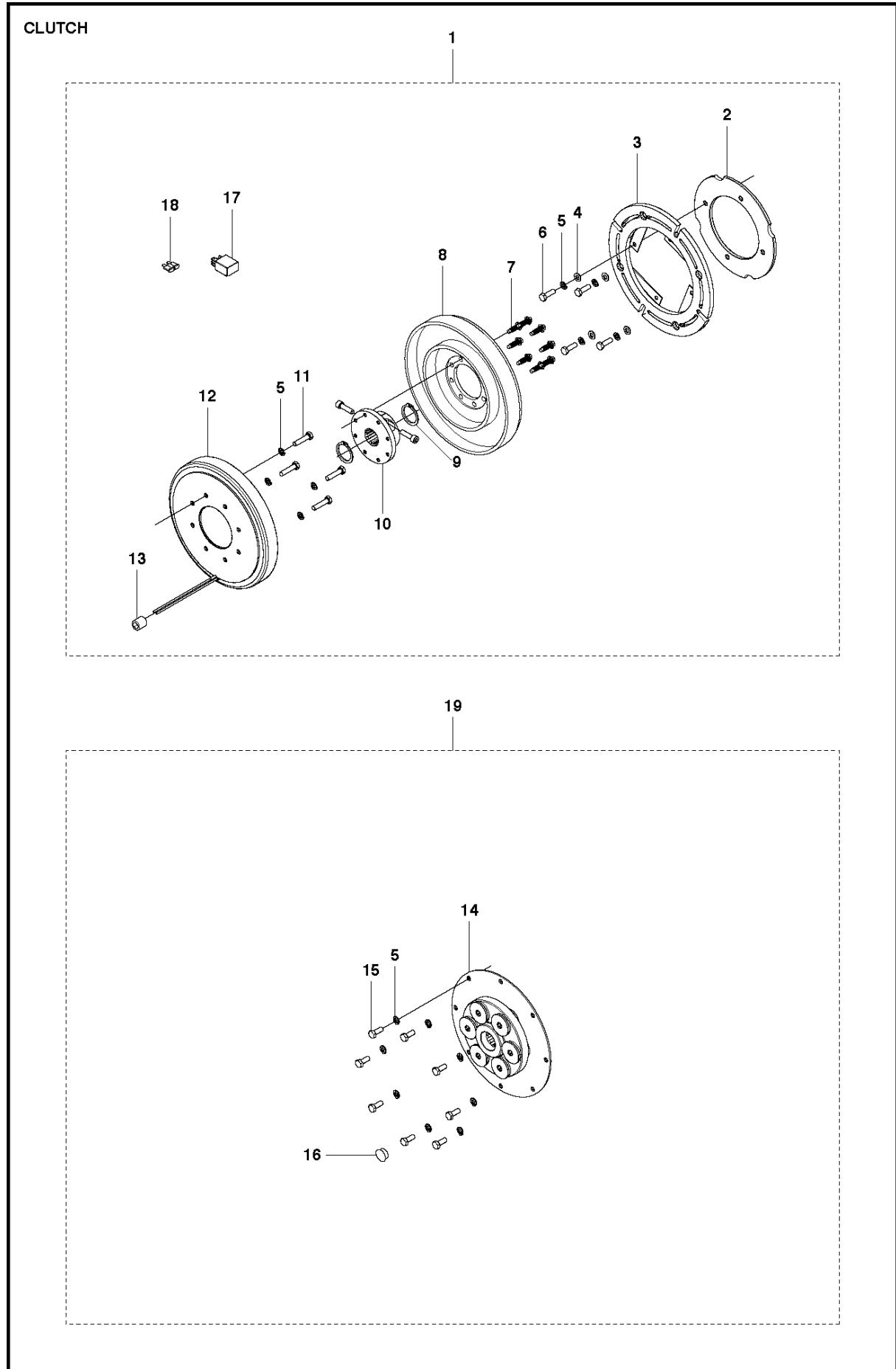
BLADE SHAFT



BLADE SHAFT

FS5000, 2015-05

Ref	Part No	Description	Remark	QTY	KIT
1	588 07 86-01	SHAFT ASSY	14"-20" 1-speed"	1	
1	588 07 86-02	SHAFT ASSY	26" 1&3-speed	1	
1	588 07 86-03	SHAFT ASSY	30" 1-speed	1	
1	588 07 86-04	SHAFT ASSY	36" 1-speed	1	
1	588 07 86-05	SHAFT ASSY	30" 3-speed	1	
1	588 07 86-06	SHAFT ASSY	36" 3-speed	1	
2	585 97 28-01	SCREW EHHFM		4	1
3	504 20 45-01	GREASE		2	1
4	579 17 72-01	COVER		2	1
5	580 33 80-01	O-RING		2	1
6	580 24 72-01	BALL BEARING		2	1
7	583 95 30-01	GEAR WHEEL		1	1
8	579 05 68-01	BLADE SHAFT		1	1
9	579 05 67-01	HOUSING		1	1
10	586 01 96-01	FILTER		1	1
11	580 98 95-01	SENSOR		1	1
12	581 10 84-01	PULLEY	For 14"-20" 1 speed and 26" 1&3-speed	2	1
12	581 10 84-02	PULLEY	For 30" 3-speed	2	1
12	581 10 84-03	PULLEY	For 30" 1-speed	2	1
12	581 10 84-04	PULLEY	For 26" 1&3-speed	2	1
12	581 10 84-05	PULLEY	For 36" 1-speed	2	1



CLUTCH

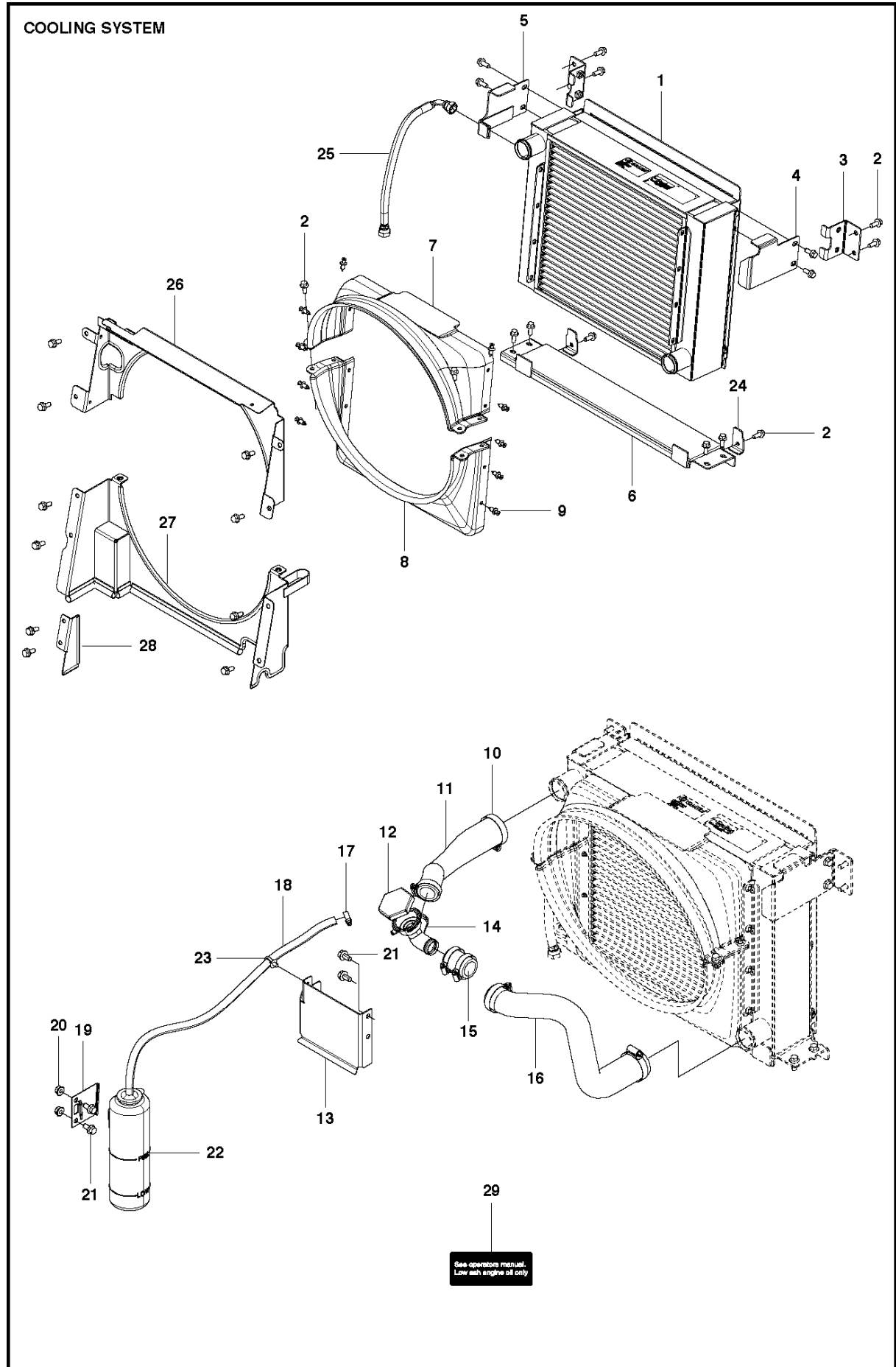
FS5000, 2015-05

Ref	Part No	Description	Remark	QTY	KIT
1	586 70 14-01	CLUTCH		1	
2	580 91 48-01	SPACER		1	1
3	581 02 04-01	CLUTCH		1	1
4	734 11 63-01	WASHER		4	1
5	735 11 64-01	SPRING WASHER		8	19
6	725 24 53-76	SCREW EHHM		4	1
7	542 19 90-53	SCREW		8	1
8	542 16 66-85	ROTOR		1	1
9	542 19 89-53	RING		2	1
10	542 19 93-87	HUB		1	1
11	725 24 57-76	SCREW EHHM		4	1
12	542 19 93-96	COIL		1	1
13	542 19 94-80	BUSHING		1	1
14	542 19 98-40	COUPLING		1	19
15	725 24 51-76	SCREW EHHM		8	19
16	542 18 33-75	PLUG		1	19
17	581 07 45-01	RELAY		1	1
18	531 30 24-19	FUSE		1	1
19	586 70 83-01	COUPLING		1	

CONTROLS

FS5000, 2015-05

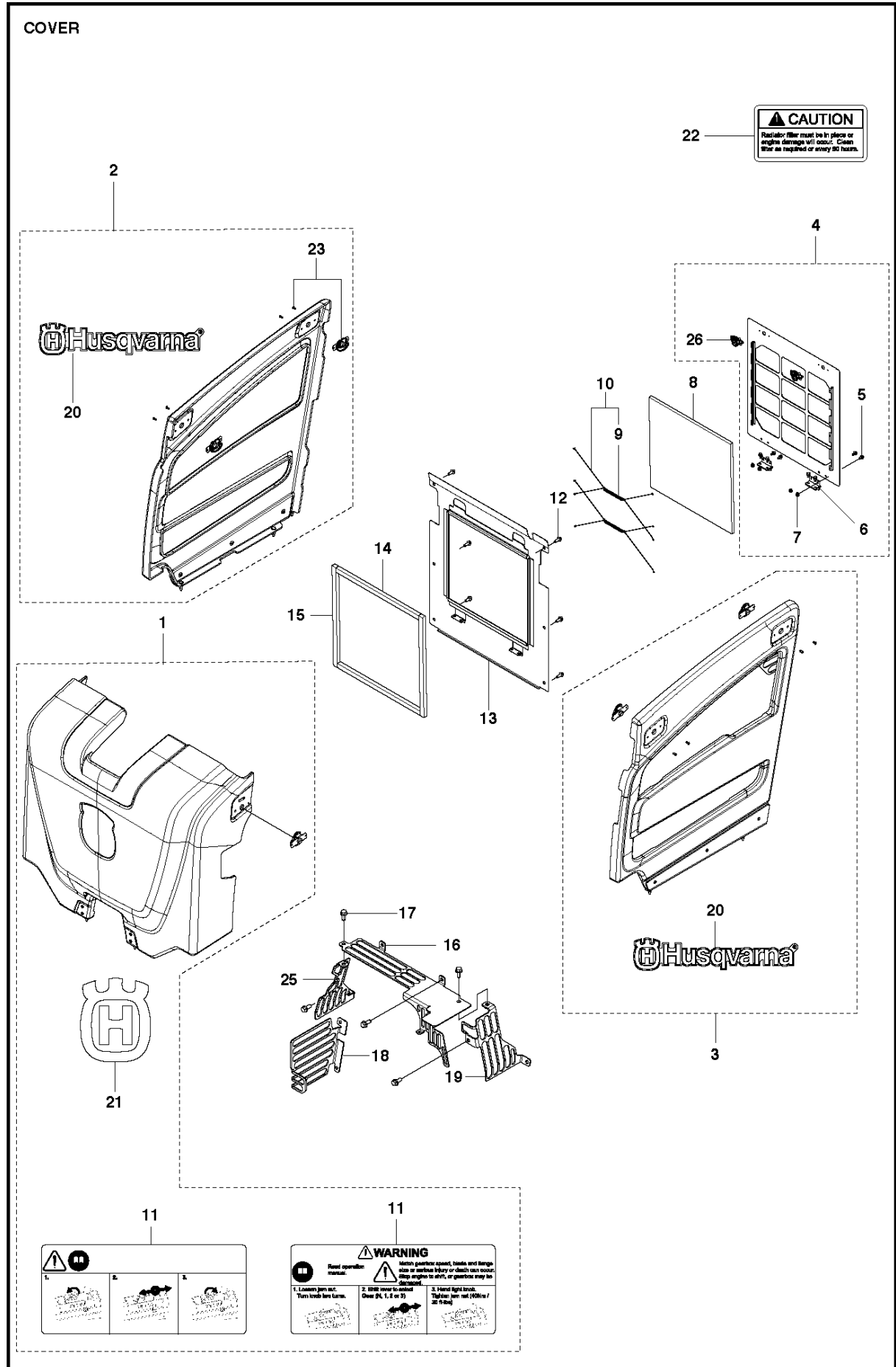
Ref	Part No	Description	Remark	QTY	KIT
1	586 83 12-01	PANEL	US ONLY	1	
1	586 83 14-01	PANEL	CE ONLY	1	
2	586 83 14-01	PANEL		8	
3	587 68 10-01	IGNITION SWITCH		1	
4	590 04 64-01	CONTROL PANEL		1	
5	585 24 89-01	DECAL	US ONLY	1	1
5	585 24 87-01	DECAL	CE ONLY	1	1
6	586 63 78-01	STOP SWITCH		1	
7	587 70 91-01	KEY		1	3
8	587 70 42-01	KNOB		1	
9	542 19 90-53	SCREW		8	
10	586 85 17-01	WASHER		1	
11	585 40 71-01	DECAL		1	4
12	585 37 16-01	DECAL		1	4
13	581 79 01-01	DECAL	US ONLY	1	
14	542 18 04-27	DECAL	US ONLY	1	
15	586 63 98-01	HARNESS ASSY		1	
16	583 95 95-01	CLAMP		5	
17	579 40 41-01	BRACKET		1	
18	725 64 51-01	SCREW IHCSFM		6	
19	580 87 65-01	COVER		1	



COOLING SYSTEM

FS5000, 2015-05

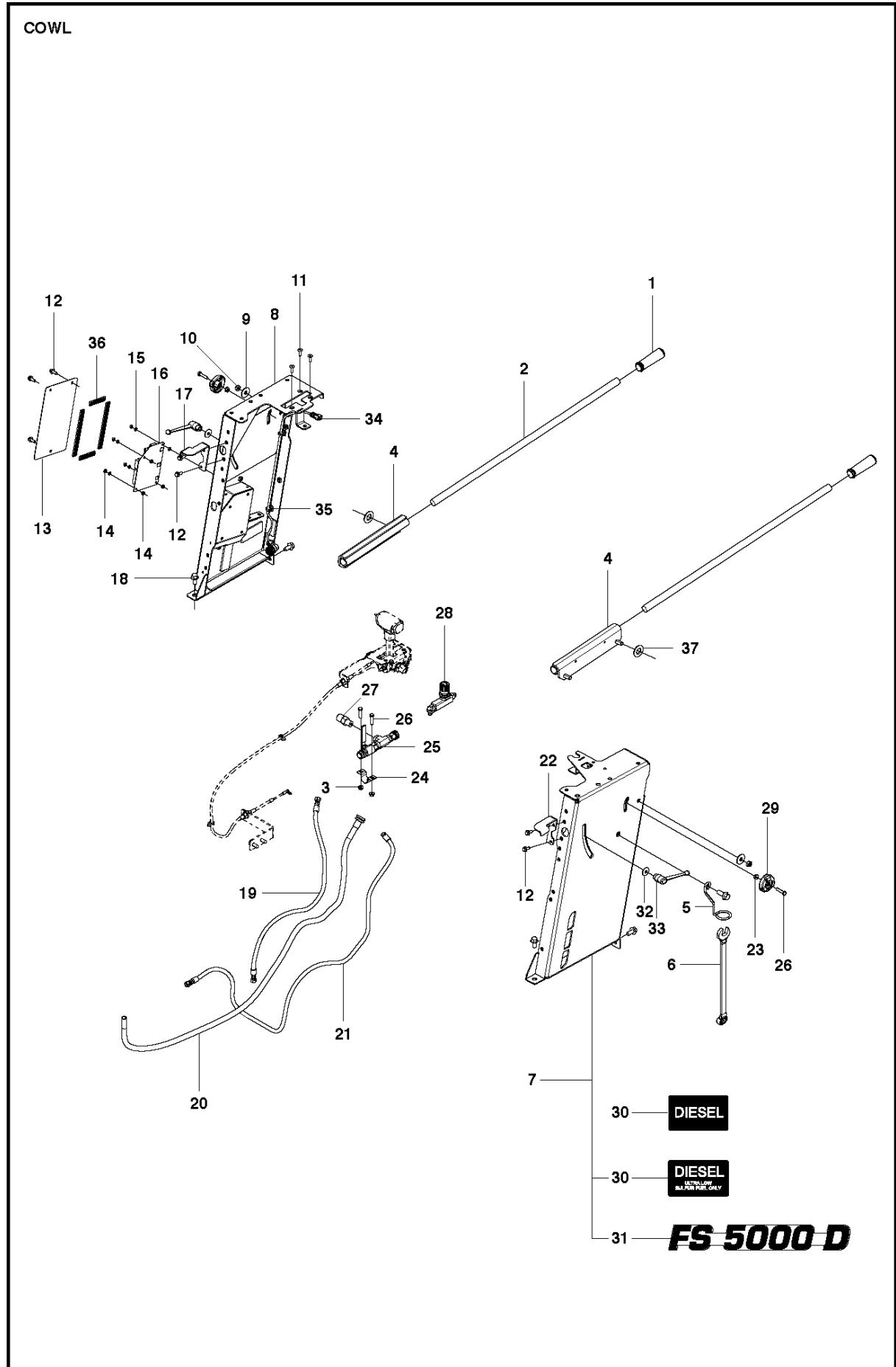
Ref	Part No	Description	Remark	QTY KIT
1	589 93 15-01	RADIATOR ASSY		1
2	585 97 54-01	SCREW EHHFM		26
3	583 91 21-01	BRACKET		2
4	586 66 74-01	PLATE	Left Side	1
5	586 66 73-01	PLATE	Right Side	1
6	586 34 91-01	BRACKET		1
7	580 87 54-01	FAN COVER	Upper	1
8	580 87 53-01	FAN COVER	Lower	1
9	542 16 66-24	BOLT		10
10	576 31 52-03	HOSE CLAMP		6
11	580 88 29-01	HOSE		1
12	542 16 63-93	CAP		1
13	586 20 24-01	HEAT SHIELD		1
14	584 47 47-01	RADIATOR		1
15	584 61 81-01	HOSE		1
16	580 88 30-01	HOSE		1
17	542 02 00-49	HOSE CLAMP		1
18	584 46 90-01	HOSE		1
19	542 20 51-36	BRACKET		1
20	731 71 18-51	HEXAGON NUT FLANGE		2
21	585 97 56-01	SCREW EHHFM		4
22	542 20 51-34	TANK ASSY		1
23	583 95 95-01	CLAMP		1
24	581 12 88-01	BRACKET		2
25	581 22 51-01	HOSE ASSY		1
26	586 66 76-01	BRACKET		1
27	586 66 77-01	BRACKET		1
28	586 66 78-01	BRACKET		1
29	586 17 51-01	DECAL		1



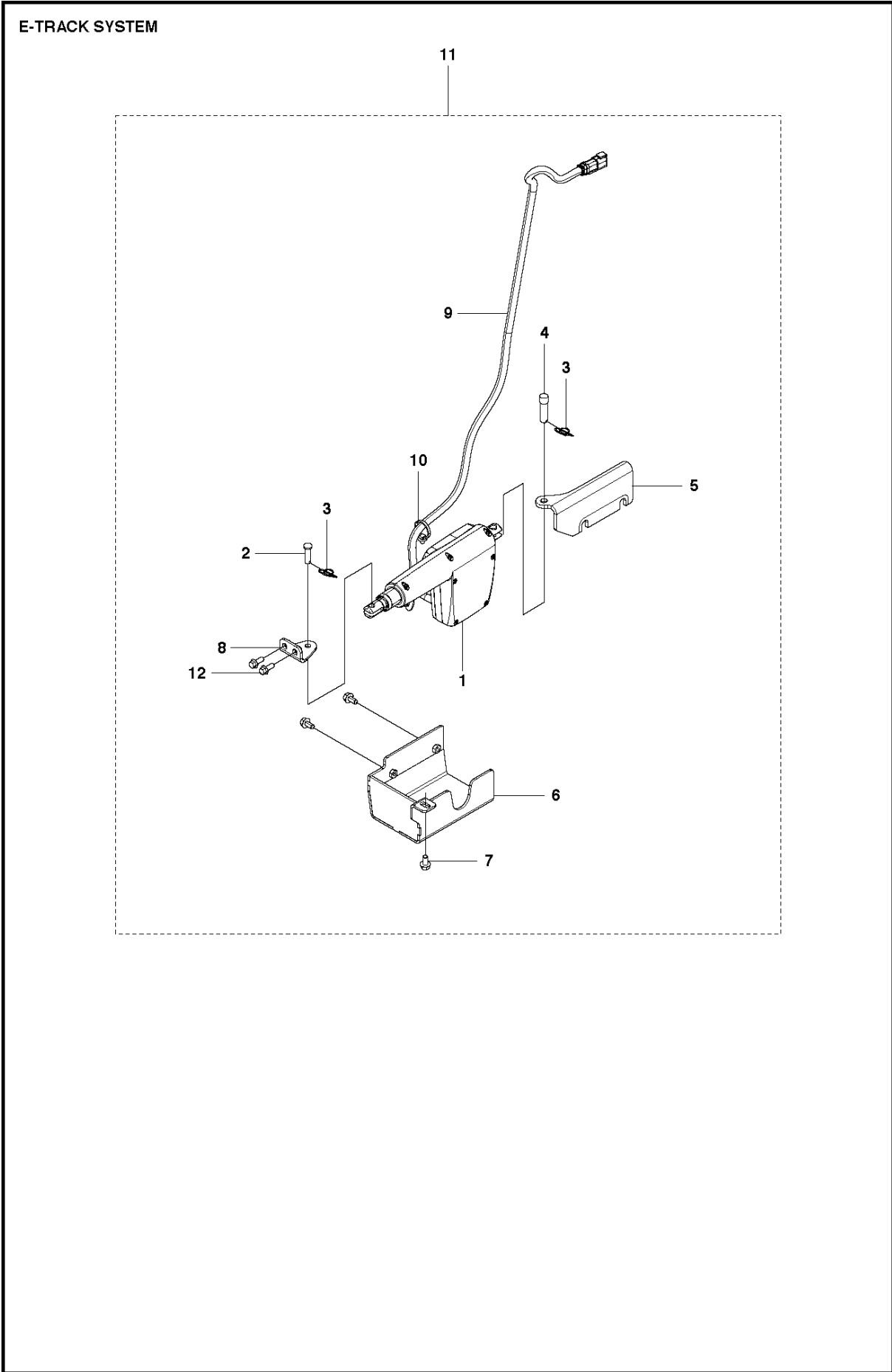
COVER

FS5000, 2015-05

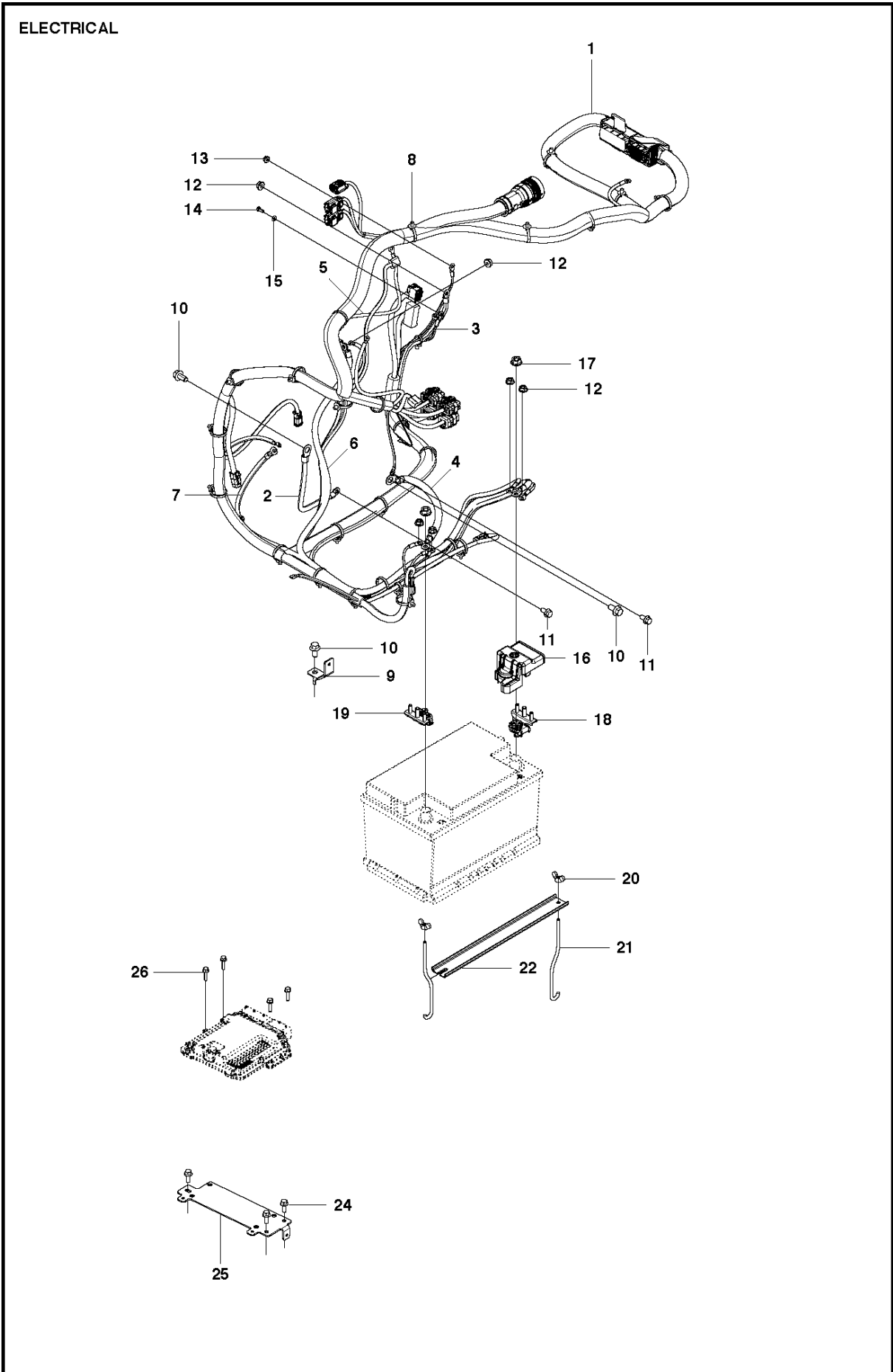
Ref	Part No	Description	Remark	QTY KIT
1	586 61 65-01	COVER		1
2	586 34 92-01	COVER	Right Side	1
3	586 61 51-01	COVER	Left Side	1
4	586 61 73-01	PLATE		1
5	585 97 33-01	SCREW EHHFM		8
6	581 16 67-01	HINGE		2
7	731 71 16-51	HEXAGON NUT FLANGE		4
8	581 15 81-01	FILTER		1
9	542 04 03-30	SPRING		2
10	586 61 53-01	RETAINER		2
11	587 20 11-01	DECAL	US Only	1
11	587 20 10-01	DECAL	CE Only	1
12	585 97 54-01	SCREW EHHFM		6
13	580 83 00-01	PLATE		1
14	581 17 53-01	INSULATOR		2
15	581 17 53-02	INSULATOR		2
16	586 00 36-01	PROTECTION		1
17	585 97 54-01	SCREW EHHFM		3
18	586 00 35-01	PROTECTION		1
19	586 00 38-01	PROTECTION		1
20	585 29 48-01	DECAL		2
21	585 94 93-01	DECAL		1
22	542 16 68-53	DECAL	US Only	1
23	586 61 48-01	LATCH		6
25	586 00 37-01	PROTECTION		1
26	586 61 70-01	LATCH		2



Ref	Part No	Description	Remark	QTY	KIT
1	542 13 95-68	GRIP		2	
2	539 30 03-40	HANDLEBAR		2	
3	542 16 75-55	NUT		2	
4	579 40 50-01	HANDLE		2	
5	578 10 73-01	HOLDER		1	
6	504 62 64-03	WRENCH		1	
7	586 61 99-01	COWL PANEL	Left	1	
8	586 62 00-01	COWL PANEL	Right	1	
9	734 11 78-01	WASHER		2	
10	732 25 22-01	HEXAGON LOCKING NUT		2	
11	725 64 53-01	SCREW IHCSFM		3	
12	585 97 54-01	SCREW EHHFM		7	
13	581 04 61-01	HATCH		1	
14	731 23 16-01	HEXAGON NUT		8	
15	734 11 52-01	WASHER		4	
16	581 33 36-01	ELECTRICAL SYSTEM		1	
17	586 61 94-01	BRACKET	Right	1	
18	585 23 59-01	SCREW EHHFM		5	
19	584 21 69-01	HYDRAULIC HOSE		1	
20	584 90 45-03	HOSE		1	
21	584 21 67-01	HYDRAULIC HOSE		1	
22	586 61 97-01	BRACKET	Left	1	
23	731 71 18-51	HEXAGON NUT FLANGE		2	
24	581 19 22-01	BRACKET		1	
25	586 02 24-01	CONNECTOR		1	
26	725 24 57-71	SCREW EHHM		4	
27	542 17 87-24	SWITCH		1	
28	586 02 25-01	CONTROL VALVE		1	
29	504 56 93-01	TURNING KNOB		2	
30	585 37 04-01	DECAL	US Only	1	7
30	542 18 10-59	DECAL	CE Only	1	7
31	585 25 45-01	DECAL		2	7
32	542 02 07-45	WASHER		2	
33	585 59 46-01	LEVER		2	
34	584 13 66-01	HARNESS		1	
35	583 95 95-01	CLAMP		2	
36	586 60 98-01	SEAL		1	
37	539 30 02-74	WASHER, FRICTION 1/2 X 1" OD		2	



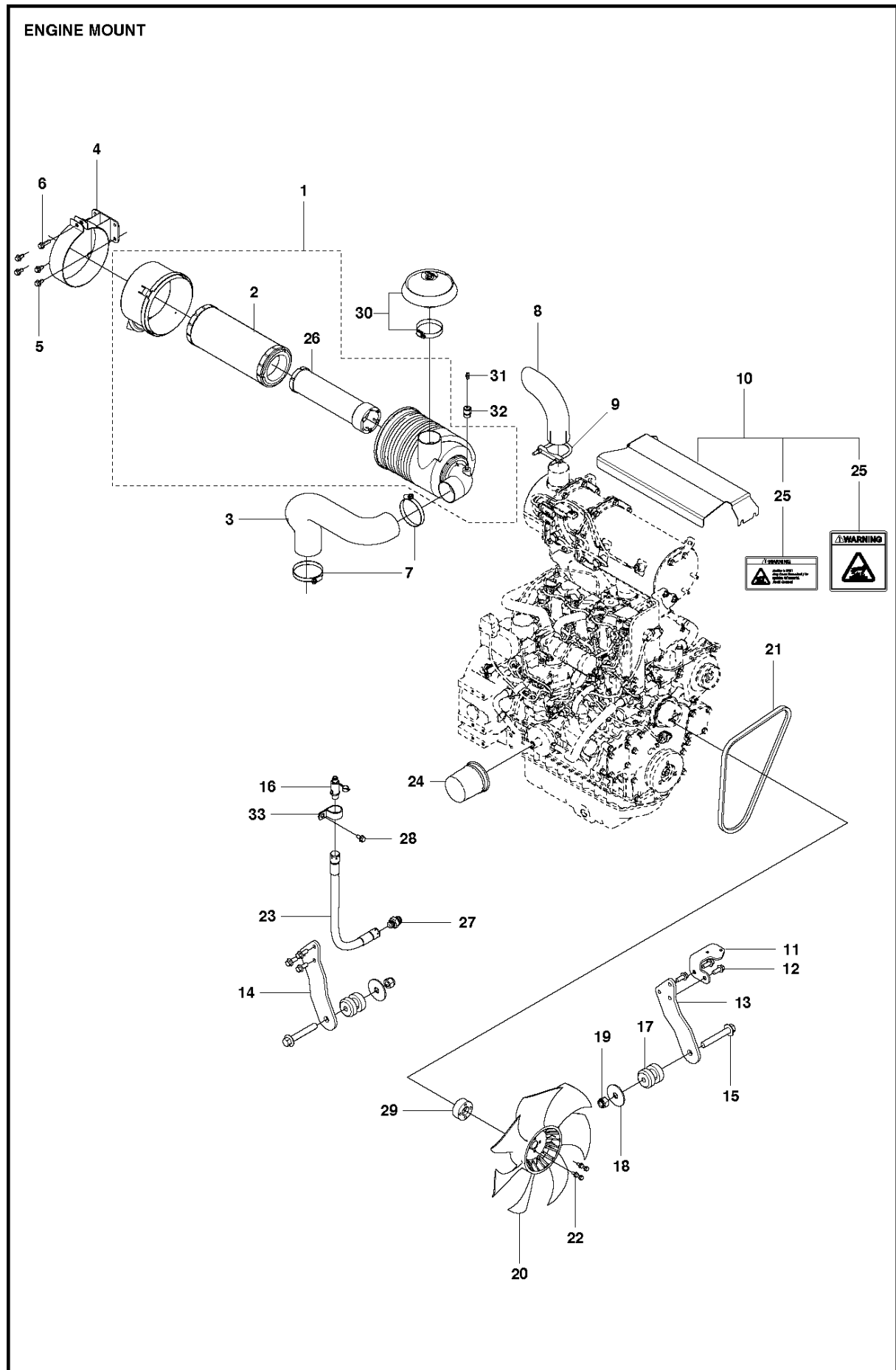
Ref	Part No	Description	Remark	QTY	KIT
1	586 15 58-01	ACTUATOR		1	11
2	542 19 92-41	BOLT		1	11
3	585 98 04-01	SCREW EHHFM		2	11
4	542 19 92-39	BOLT		1	11
5	586 14 92-01	BRACKET		1	11
6	586 16 73-01	LID		1	11
7	585 97 56-01	SCREW EHHFM		3	11
8	586 14 60-01	BRACKET		1	11
9	586 87 27-01	CABLE		1	11
10	583 95 95-01	CLAMP		1	11
11	586 91 44-01	E-TRACK SYSTEM		1	
12	585 97 54-01	SCREW EHHFM		2	



ELECTRICAL

FS5000, 2015-05

Ref	Part No	Description	Remark	QTY KIT
1	585 82 94-01	HARNESS ASSY		1
2	581 07 32-05	HARNESS ASSY	Hydraulic Pump - Chassie	1
3	581 07 32-12	HARNESS ASSY	BATT + Relay Box	1
4	581 07 32-13	HARNESS ASSY	GROUND - Chassie	1
5	581 07 32-14	HARNESS ASSY	BATT + Starter	1
6	581 07 32-15	HARNESS ASSY	BATT + Generator	1
7	581 07 32-16	HARNESS ASSY	BATT + Hydraulic Pump	1
8	583 95 95-01	CLAMP		30
9	581 28 17-01	BRACKET		1
10	725 24 91-61	SCREW EHHFT		3
11	725 24 49-61	SCREW EHHFT		2
12	731 71 16-51	HEXAGON NUT FLANGE		6
13	731 71 16-51	HEXAGON NUT FLANGE		1
14	725 23 27-71	SCREW EHHM		1
15	734 11 46-01	WASHER		1
16	581 33 65-01	ELECTRICAL SYSTEM		1
17	731 71 18-51	HEXAGON NUT FLANGE		2
18	581 33 63-01	ELECTRICAL SYSTEM		1
19	581 33 64-01	ELECTRICAL SYSTEM		1
20	577 24 49-01	WING NUT		2
21	584 65 09-01	BOLT		2
22	581 15 98-01	PLATE		1
23	581 27 18-01	BATTERY	US Only	1
24	585 97 54-01	SCREW EHHFM		3
25	584 13 54-01	BRACKET		1
26	585 98 03-01	SCREW EHHFM		4



ENGINE

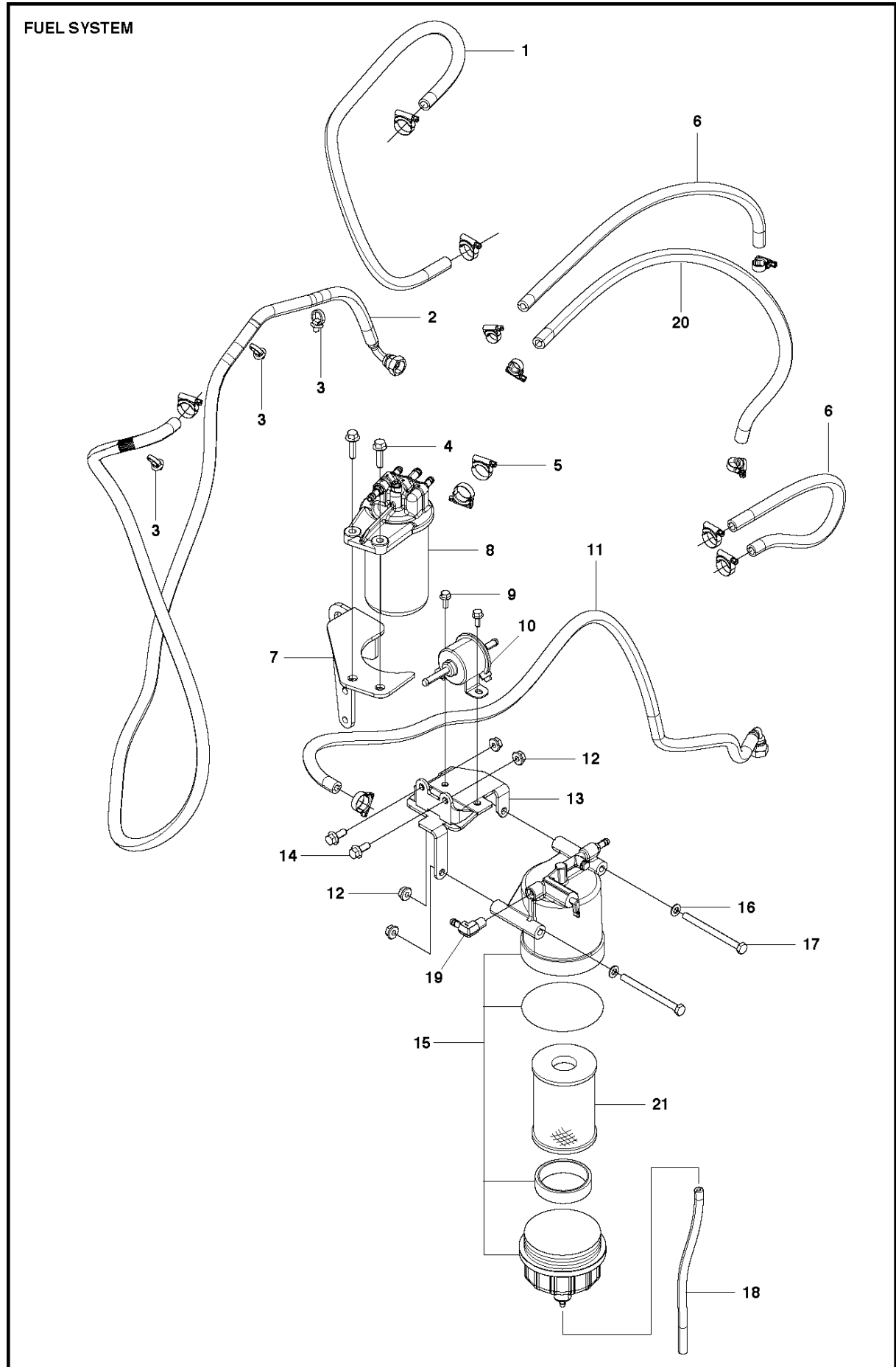
FS5000, 2015-05

Ref	Part No	Description	Remark	QTY KIT
1	581 05 88-01	AIR CLEANER		1
2	542 16 64-53	AIR FILTER	1	1
3	581 10 41-01	HOSE		1
4	581 06 67-01	BRACKET		1
5	585 97 56-01	SCREW EHHFM		4
6	585 97 28-01	SCREW EHHFM		1
7	576 31 52-07	HOSE CLAMP		2
8	581 27 51-01	EXHAUST PIPE		1
9	541 20 04-83	CLAMP		1
10	586 83 10-01	BRACKET		1
11	583 89 84-01	BRACKET		1
12	585 97 31-01	SCREW EHHFM		6
13	588 95 48-01	BRACKET	Right Side	1
14	588 95 46-01	BRACKET	Left Side	1
15	581 24 94-02	SCREW EHHFM		2
16	542 16 69-07	VALVE		1
17	542 16 63-52	SILENBLOC E/FS1200T PO		2
18	579 23 20-01	WASHER		2
19	576 87 89-28	NUT		2
20	586 18 73-01	FAN		1
21	586 03 86-01	BELT		1
22	535 47 52-40	SCREW EHHFM		4
23	584 97 09-01	HOSE ASSY		1
24	542 20 63-69	OIL FILTER		1
25	542 16 90-65	DECAL		1
25	585 37 06-01	DECAL		1
26	542 16 64-54	AIR FILTER		1
27	581 20 61-01	ADAPTER		1
28	585 97 56-01	SCREW EHHFM		1
29	586 18 75-01	HUB		1
30	542 20 51-64	CAP		1
31	542 16 68-80	ADAPTER		1
32	541 20 09-89	GAUGE		1
33	542 17 86-56	CLAMP		1

FRONT AXLE

FS5000, 2015-05

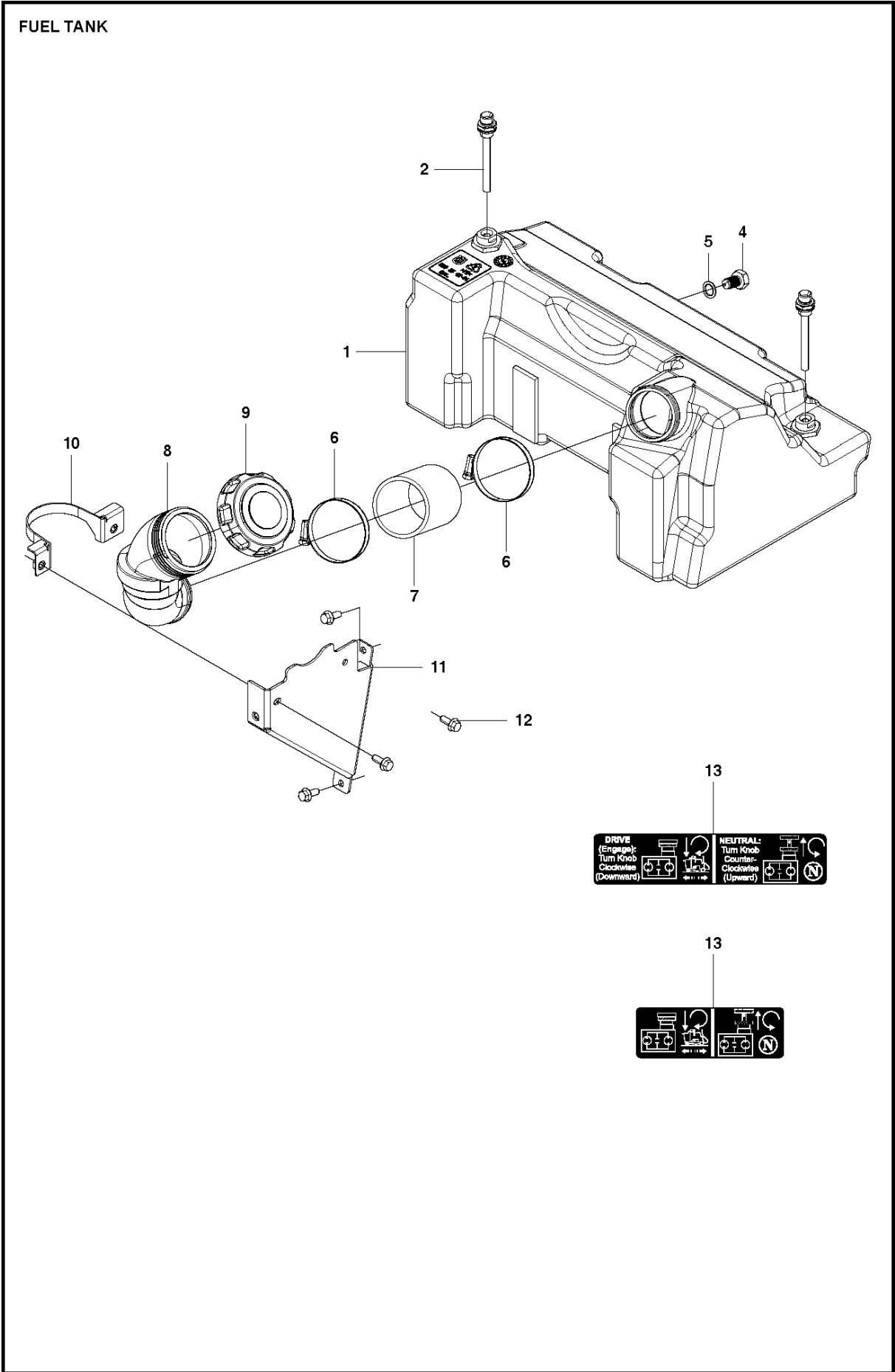
Ref	Part No	Description	Remark	QTY KIT
1	585 97 52-01	SCREW EHHFM		2
2	579 59 57-01	BLOCK		1
3	579 52 58-01	SHAFT		1
4	735 31 22-01	CIRCLIP		2
5	579 24 63-01	HYDRAULIC CYLINDER		1
6	579 52 55-01	SHAFT		1
7	581 06 88-01	GREASE		1
8	586 68 42-01	FRONT AXLE		1
9	579 73 54-01	BALL BEARING		2
10	542 19 90-53	SCREW		2
11	725 25 46-71	SCREW EHHM		2
12	731 23 22-01	HEXAGON NUT		2
13	542 04 64-02	WASHER		4
14	542 19 17-16	WHEEL		2
15	735 31 26-01	CIRCLIP		2
16	581 20 54-01	ADAPTER		1
17	584 14 38-01	HYDRAULIC HOSE		1
18	581 20 55-01	ADAPTER		1
19	576 65 48-11	SCREW EHHFM		4
20	579 33 03-01	PLATE		1
21	581 14 06-01	MAGNET		1
22	581 14 07-01	SENSOR		1
23	579 33 02-01	BOX		1
24	585 98 06-01	SCREW EHHFM		6



FUEL SYSTEM

FS5000, 2015-05

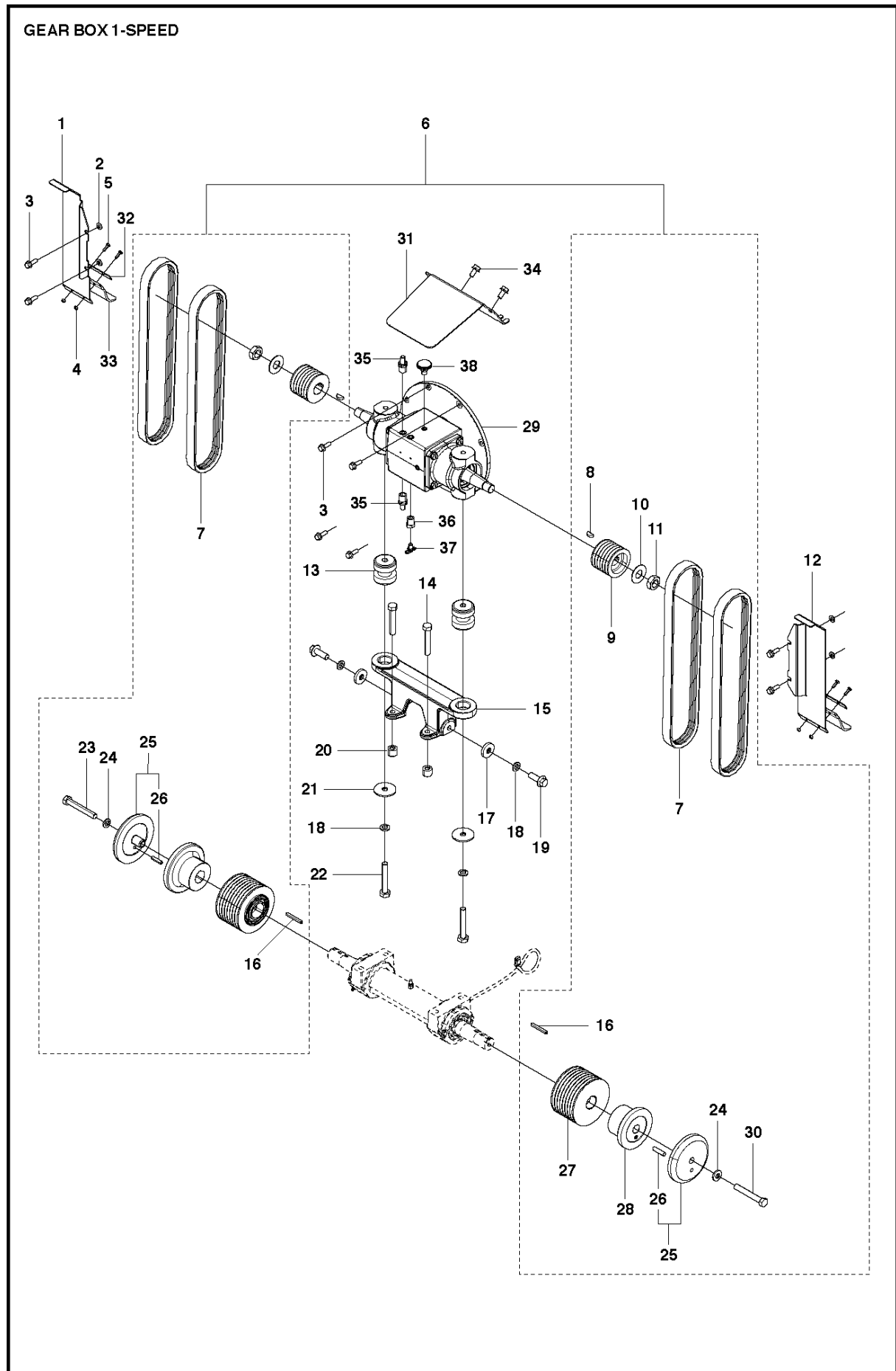
Ref	Part No	Description	Remark	QTY KIT
1	585 86 03-01	FUEL HOSE		1
2	581 22 52-01	HOSE ASSY		1
3	583 95 95-01	CLAMP		3
4	585 97 28-01	SCREW EHHFM		2
5	542 02 00-49	HOSE CLAMP		10
6	585 85 89-01	FUEL HOSE		2
7	580 95 18-01	BRACKET		1
8	581 76 75-01	FUEL FILTER		1
9	585 98 06-01	SCREW EHHFM		2
10	581 76 74-01	FUEL PUMP		1
11	581 22 53-01	HOSE ASSY		1
12	731 71 18-51	HEXAGON NUT FLANGE		4
13	584 86 72-01	BRACKET		1
14	585 97 56-01	SCREW EHHFM		4
15	581 76 73-01	WATER SEPARATOR		1
16	734 11 63-01	WASHER		2
17	725 24 71-51	SCREW EHHM		2
18	586 27 22-01	FUEL HOSE		1
19	585 24 45-01	FITTING		1
20	585 86 72-01	FUEL HOSE		1
21	587 68 98-01	FILTER		1



FUEL TANK

FS5000, 2015-05

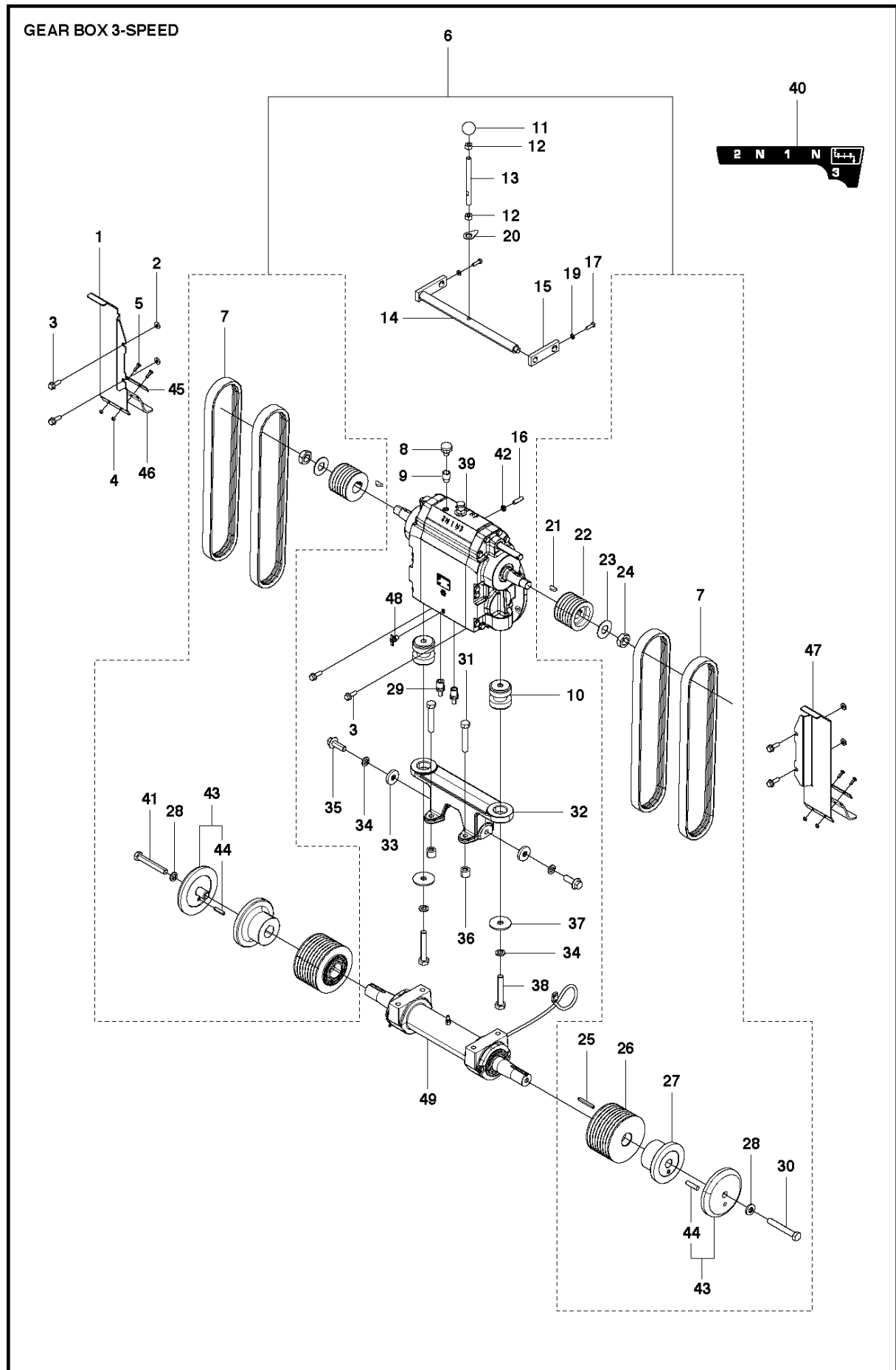
Ref	Part No	Description	Remark	QTY KIT
1	586 03 67-01	FUEL TANK ASSY		1
2	581 12 91-02	ADAPTER		2
4	585 59 54-01	PLUG		1
5	740 38 29-01	SEALING WASHER		1
6	576 31 52-07	HOSE CLAMP		2
7	581 05 36-01	HOSE		1
8	581 10 97-01	PIPE		1
9	539 10 63-30	TANK CAP		1
10	583 91 40-01	BRACKET		1
11	583 96 68-01	BRACKET		1
12	585 97 54-01	SCREW EHHFM		4
13	542 19 06-28	DECAL	US Only	1
13	585 29 97-01	DECAL	CE Only	1



GEAR BOX

FS5000, 2015-05

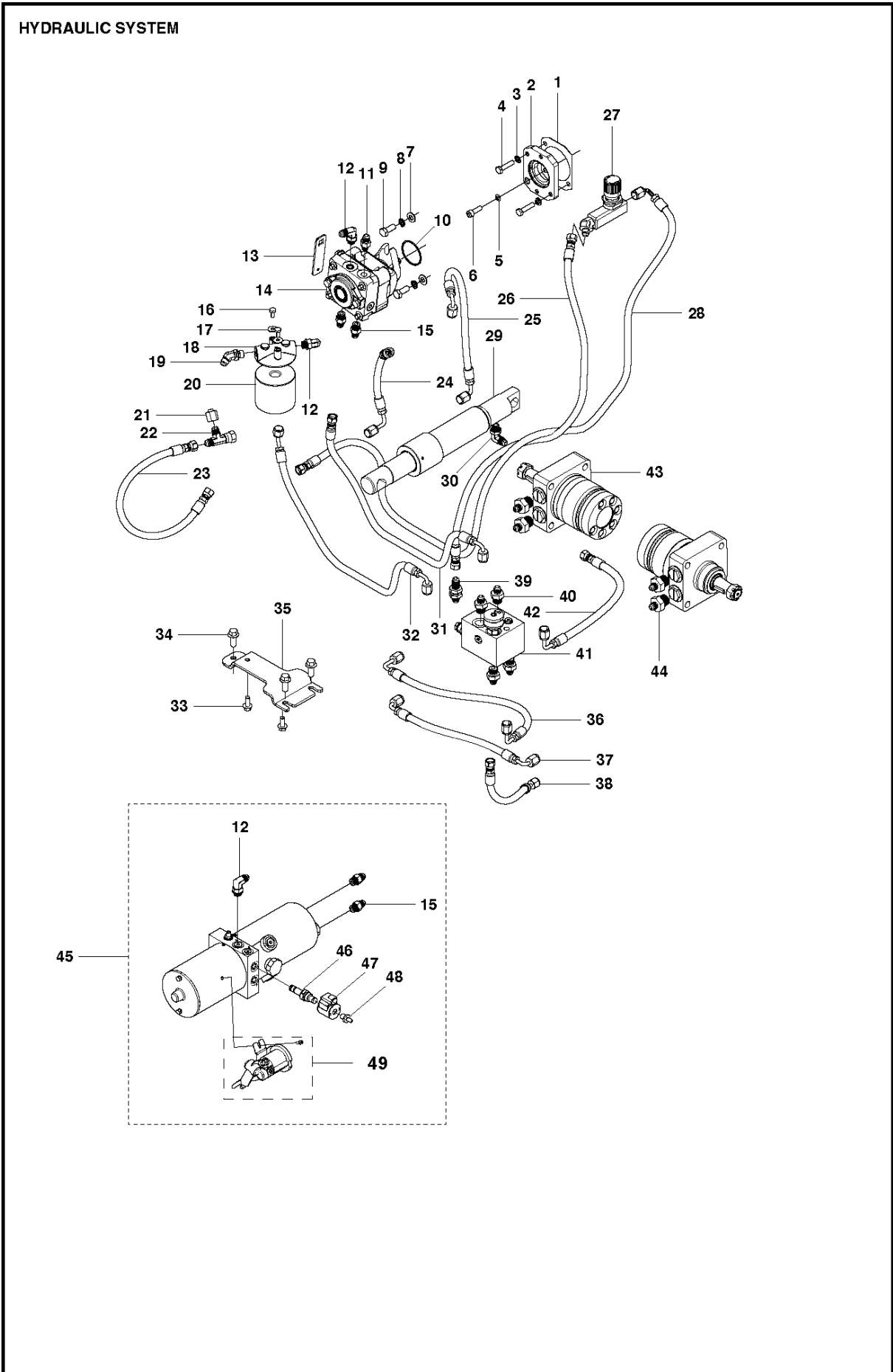
Ref	Part No	Description	Remark	QTY KIT
1	581 02 10-01	BELT GUARD	Right Side	1
2	734 11 72-01	WASHER		8
3	585 98 04-01	SCREW EHHFM		8
4	732 25 16-01	HEXAGON LOCKING NUT		4
5	586 12 02-01	SCREW EHHFM		4
6	587 21 74-01	BELT		1
6	587 21 74-02	BELT		1
6	587 21 74-03	BELT		1
6	587 21 74-04	BELT		1
6	587 21 74-05	BELT		1
7	576 44 91-51	V-BELT	14"	4
7	505 77 74-01	V-BELT	20",30"	4
7	576 44 91-50	V-BELT	26"	4
7	581 29 41-01	V-BELT	36"	4
8	542 16 46-32	KEY		2
9	581 09 86-01	PULLEY	14"	2
9	581 09 62-03	PULLEY	20"	2
9	581 09 62-01	PULLEY	26", 30", 36"	2
10	542 16 64-80	WASHER		2
11	541 20 48-33	NUT		2
12	581 02 11-01	BELT GUARD	Left Side	1
13	542 16 63-52	SILENBLOC E/FS1200T PO		2
14	542 16 63-68	SCREW		2
15	542 19 98-44	BRACKET		1
16	542 19 90-45	KEY		2
17	542 16 03-93	WASHER		2
18	539 99 03-33	WASHER		4
19	542 16 74-47	SCREW		2
20	539 30 04-40	BOLT		2
21	542 20 63-56	WASHER		2
22	542 16 63-56	SCREW		2
23	586 25 59-01	SCREW		1
24	522 96 59-42	WASHER		2
25	586 00 92-01	COLLAR	14"-20"	2
25	586 00 93-01	COLLAR	26"-30"	2
25	586 00 94-01	FLANGE	36"	2
26	505 53 19-01	PIN	14"-30"	2
26	539 30 00-10	PIN	36"	2
27	581 10 84-01	PULLEY	14", 20", 26"	1
27	581 10 84-03	PULLEY	30"	1
27	581 10 84-05	PULLEY	36"	1
28	580 93 97-01	FLANGE	14", 20"	2
28	580 93 97-02	FLANGE	26", 30"	2
28	580 96 20-01	FLANGE	36"	2
29	542 19 99-97	RIGHT ANGLE GEARBOX.SAE 5.BLCK		1
30	586 25 57-01	SCREW		1
31	586 00 33-01	PROTECTION		1
32	581 52 18-01	PLATE		2
33	581 52 16-01	SPLASH GUARD		2
34	585 97 56-01	SCREW EHHFM		2
35	541 20 48-70	FITTING		2
36	542 13 96-49	ADAPTER		1
37	542 16 07-04	TAP		1
38	542 20 66-60	BREATHER		1



GEAR BOX

FS5000, 2015-05

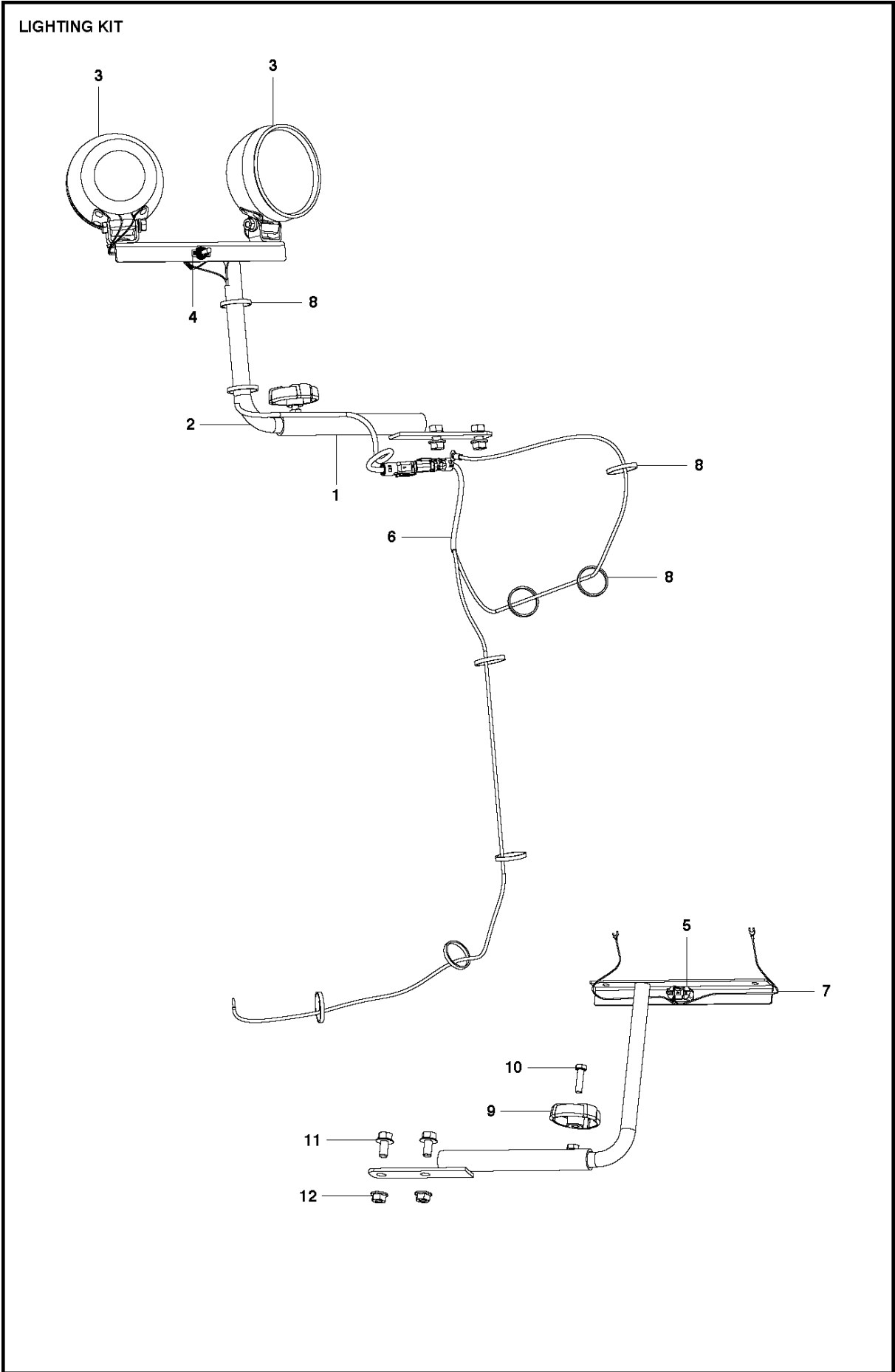
Ref	Part No	Description	Remark	QTY KIT
1	581 02 10-01	BELT GUARD	Right Side	1
2	734 11 72-01	WASHER		7
3	725 24 95-71	SCREW EHHM		6
4	732 25 16-01	HEXAGON LOCKING NUT		4
5	586 12 02-01	SCREW EHHFM		4
6	587 21 74-06	BELT		1
6	587 21 74-07	BELT		1
6	587 21 74-08	BELT		1
7	585 51 50-01	V-BELT	26", 30". QTY in package: 1	4
7	541 20 13-91	V-BELT	36", QTY in package: 1	4
8	504 53 96-01	FITTING		1
9	504 53 75-01	FITTING		1
10	542 16 63-52	SILENBLOC E/FS1200T PO		2
11	542 16 32-14	BALL		1
12	539 99 02-58	NUT		2
13	542 20 63-97	HANDLE		1
14	542 20 62-58	ROD		1
15	579 56 74-01	ARM		2
16	542 20 64-16	STUD		1
17	539 99 02-09	SCREW		2
18	725 24 49-71	SCREW EHHM		2
19	735 11 64-01	SPRING WASHER		4
20	584 91 93-01	BRACKET		1
21	542 16 46-32	KEY		2
22	581 09 62-03	PULLEY	26"	2
22	581 09 62-02	PULLEY	30", 36"	2
23	542 16 64-80	WASHER		2
24	541 20 48-33	NUT		2
25	542 19 90-45	KEY		2
26	581 10 84-01	PULLEY	26"	2
26	581 10 84-02	PULLEY	30"	2
26	581 10 84-04	PULLEY	36"	2
27	580 93 97-02	FLANGE	26", 30"	2
27	580 96 20-01	FLANGE	36"	2
28	522 96 59-42	WASHER		2
29	541 20 48-70	FITTING		2
30	586 25 57-01	SCREW		1
31	542 16 63-68	SCREW		2
32	542 19 98-44	BRACKET		1
33	542 16 03-93	WASHER		2
34	539 99 03-33	WASHER		4
35	542 16 74-47	SCREW		2
36	539 30 04-40	BOLT		2
37	542 20 63-56	WASHER		2
38	542 16 63-56	SCREW		2
39	581 27 28-01	GEARBOX		1
40	585 29 49-01	DECAL		1
41	586 25 59-01	SCREW		1
42	731 43 20-01	HEXAGON THIN NUT		1
43	586 00 93-01	COLLAR	26"-30"	2
43	586 00 94-01	FLANGE	36"	2
44	505 53 19-01	PIN	26"-30"	2
44	539 30 00-10	PIN	36"	2
45	581 52 18-01	PLATE		2
46	581 52 16-01	SPLASH GUARD		2
47	581 02 11-01	BELT GUARD		1
48	542 16 07-04	TAP		1



HYDRAULIC SYSTEM

FS5000, 2015-05

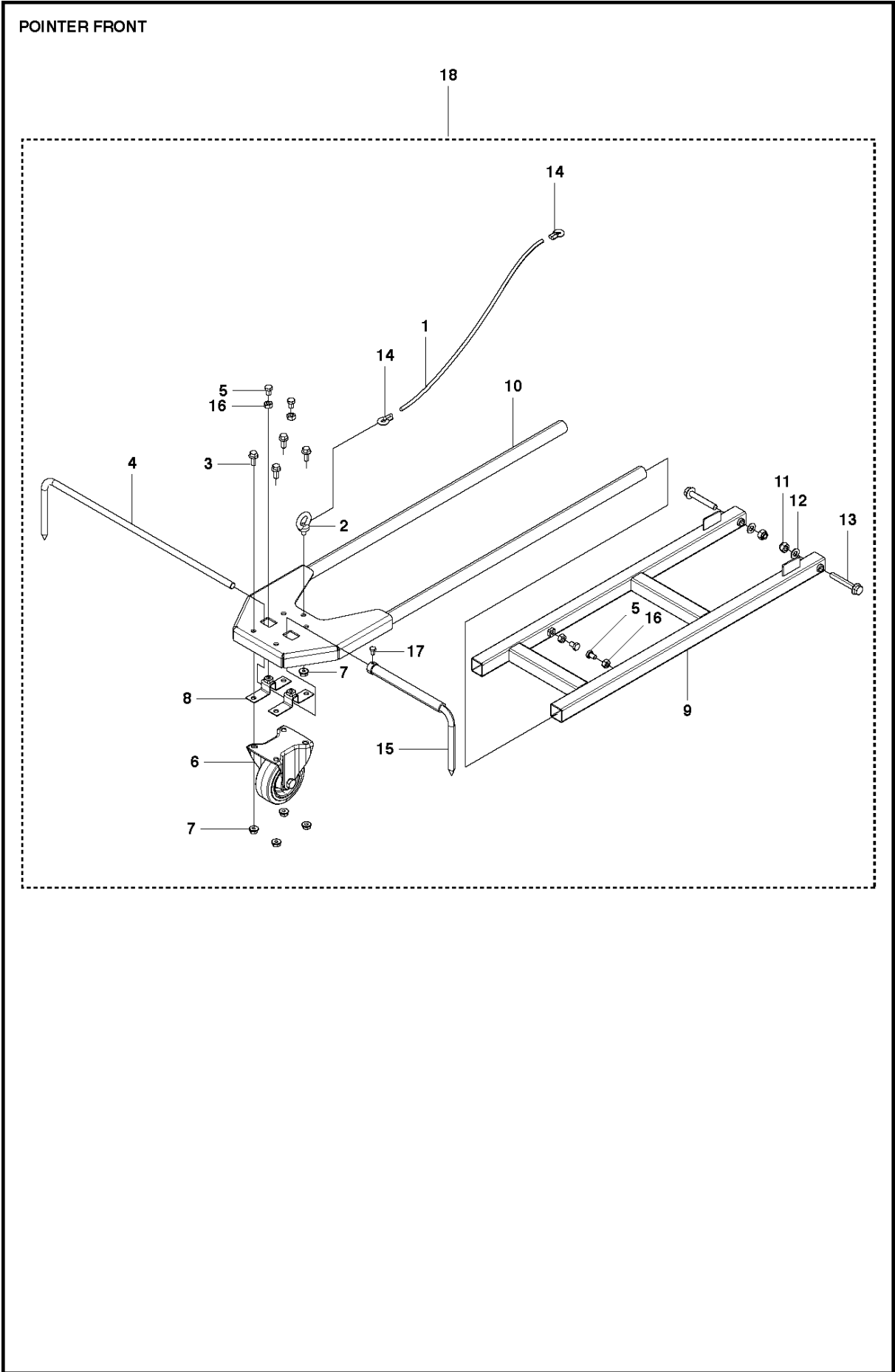
Ref	Part No	Description	Remark	QTY	KIT
1	542 20 62-11	GASKET		1	
2	581 78 77-01	SPACER		1	
3	735 11 64-01	SPRING WASHER		2	
4	725 24 57-76	SCREW EHHM		2	
5	542 02 07-77	WASHER		1	
6	542 18 83-38	SHCS. M8-1.25 X 25		1	
7	734 11 72-01	WASHER		2	
8	735 11 73-01	SPRING WASHER		2	
9	725 24 93-71	SCREW EHHM		2	
10	542 20 60-67	O-RING		1	
11	581 20 53-02	ADAPTER		1	
12	583 94 72-01	ADAPTER		3	45
13	580 96 06-01	PLATE		1	
14	505 49 32-01	PUMP		1	
15	581 20 53-01	ADAPTER		4	45
16	542 02 03-01	SCREW		2	
17	734 11 54-41	WASHER		2	
18	542 16 64-48	FILTER		1	
19	583 95 85-01	ADAPTER		1	
20	542 16 64-49	FILTER		1	
21	581 20 60-01	PLUG		1	
22	581 20 59-01	ADAPTER		1	
23	583 93 95-01	HYDRAULIC HOSE		1	
24	583 93 88-01	HYDRAULIC HOSE		1	
25	583 93 89-01	HYDRAULIC HOSE		1	
26	584 21 69-01	HYDRAULIC HOSE		1	
27	586 02 25-01	CONTROL VALVE		1	
28	584 21 67-01	HYDRAULIC HOSE		1	
29	579 24 63-01	HYDRAULIC CYLINDER		1	
30	581 20 54-01	ADAPTER		1	
31	583 93 75-01	HYDRAULIC HOSE		1	
32	583 93 58-01	HYDRAULIC HOSE		1	
33	585 97 54-01	SCREW EHHFM		2	
34	585 97 31-01	SCREW EHHFM		3	
35	580 95 84-01	BRACKET		1	
36	584 14 25-01	HYDRAULIC HOSE		1	
37	583 97 85-01	HYDRAULIC HOSE		1	
38	583 97 61-01	HYDRAULIC HOSE		1	
39	581 20 55-01	ADAPTER		1	
40	581 20 57-01	ADAPTER		4	
41	581 26 77-01	VALVE		1	
42	584 14 38-01	HYDRAULIC HOSE		1	
43	542 19 88-78	HYDRAULIC MOTOR		2	
44	541 20 49-91	ADAPTER		4	
45	581 25 59-01	HYDRAULIC PUMP		1	
46	582 22 65-01	VALVE		1	
47	522 84 91-10	COIL		1	
48	541 20 47-34	FITTING		1	
49	522 84 91-15	SOLENOID		1	



LIGHTING KIT

FS5000, 2015-05

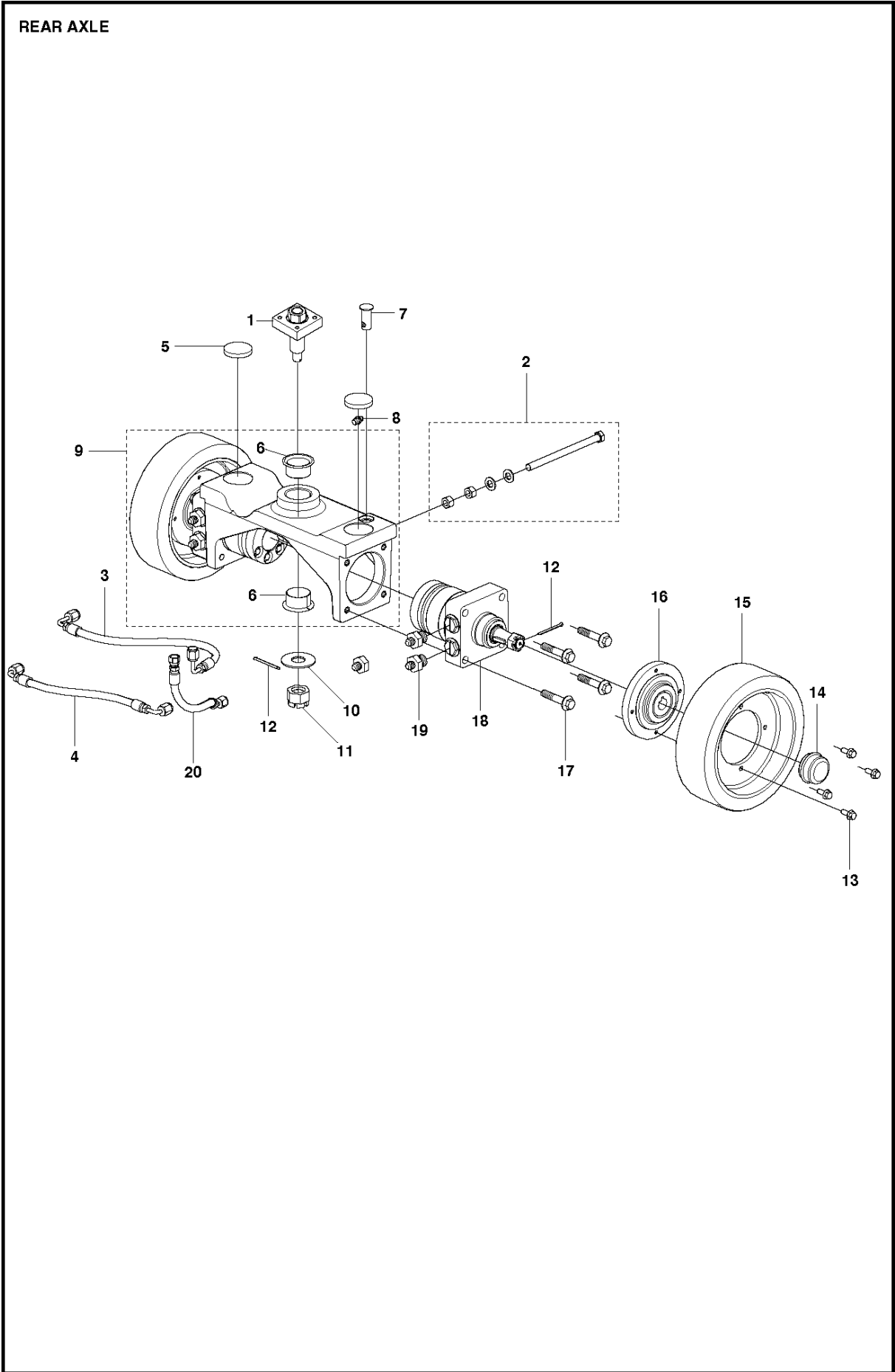
Ref	Part No	Description	Remark	QTY KIT
1	585 92 36-01	SUPPORT		1
2	542 18 11-20	RAIL		1
3	504 85 56-01	LAMP		2
4	542 09 05-52	PLATE		1
5	541 20 19-76	SWITCH		1
6	586 25 54-01	HARNESS ASSY		1
7	586 31 58-01	HARNESS ASSY		1
8	542 16 69-06	TIE WRAP		9
9	504 56 93-01	TURNING KNOB		1
10	725 24 55-71	SCREW EHHM		1
11	585 97 52-01	SCREW EHHFM		2
12	731 71 20-51	HEXAGON NUT FLANGE		2



POINTER FRONT

FS5000, 2015-05

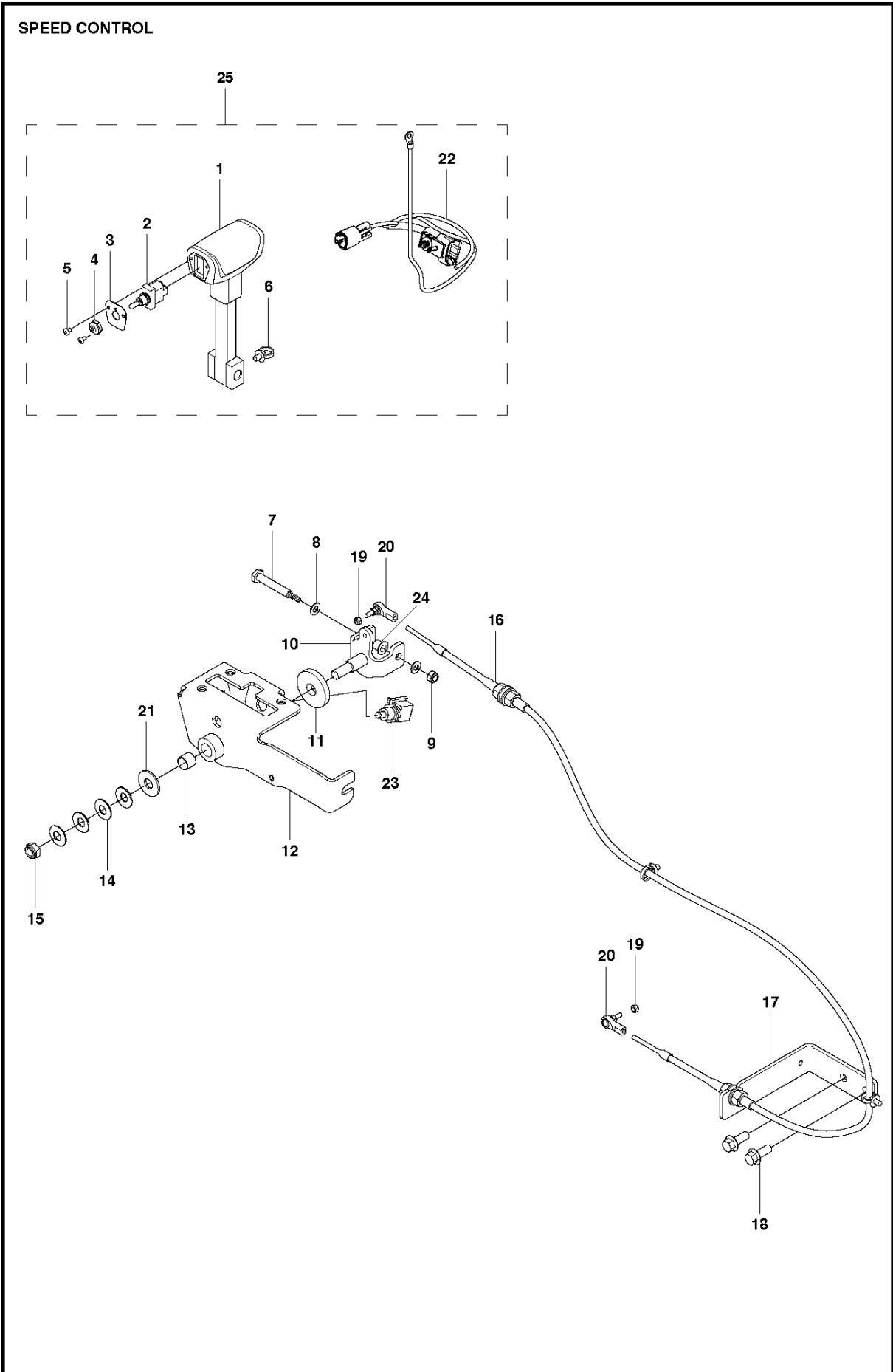
Ref	Part No	Description	Remark	QTY	KIT
1	542 02 08-90	CORD		1	18
2	584 91 14-01	EYE BOLT		1	18
3	585 97 54-01	SCREW EHHFM		4	18
4	581 22 26-01	ROD		1	18
5	725 24 51-71	SCREW EHHM		4	18
6	581 19 12-01	WHEEL		1	18
7	731 71 18-51	HEXAGON NUT FLANGE		5	18
8	581 22 25-01	BRACKET		2	18
9	581 21 37-01	POINTER		1	18
10	581 22 21-01	POINTER		1	18
11	732 25 20-01	HEXAGON LOCKING NUT		2	18
12	734 11 72-01	WASHER		2	18
13	581 24 33-01	SCREW EHHFM		2	18
14	541 20 04-67	CLAMP		2	18
15	585 89 15-01	POINTER		1	18
16	731 23 18-01	HEXAGON NUT		4	18
17	725 23 64-71	SCREW EHHM		1	18
18	586 81 49-01	POINTER		1	



REAR AXLE

FS5000, 2015-05

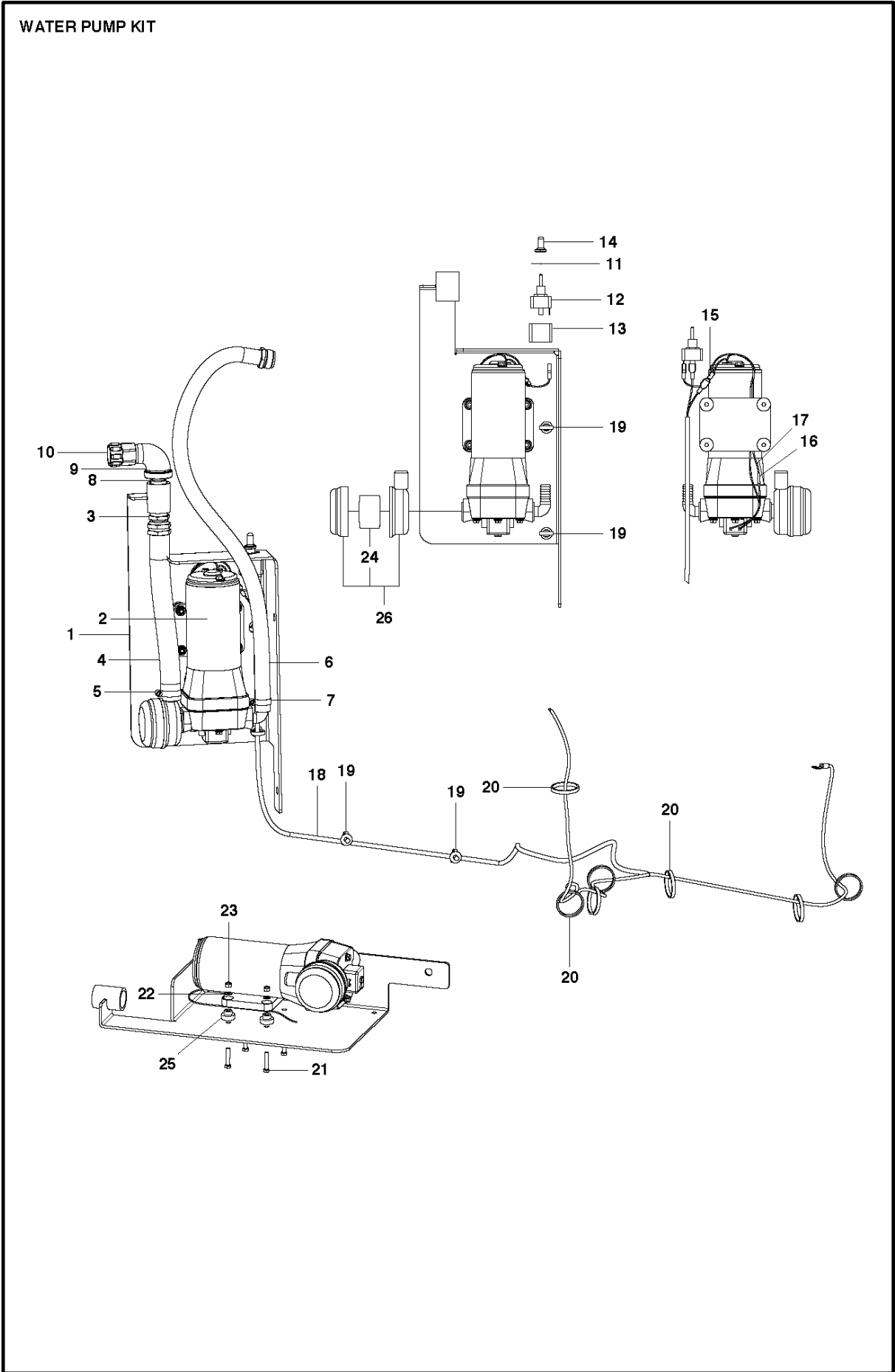
Ref	Part No	Description	Remark	QTY KIT
1	587 62 35-01	KIT		1
2	587 21 83-01	E-TRACK SYSTEM		1
3	584 14 25-01	HYDRAULIC HOSE		1
4	583 97 85-01	HYDRAULIC HOSE		1
5	578 78 32-01	DISC		2
6	580 25 53-01	BEARING BUSH		2
7	578 78 28-01	SWIVEL		1
8	504 20 45-01	GREASE		1
9	578 78 31-01	REAR AXLE		1
10	581 07 29-01	WASHER		1
11	578 85 01-01	NUT		1
12	721 62 03-01	SPLIT PIN		3
13	576 65 48-06	SCREW EHHFM		8
14	539 10 25-35	CAP		2
15	542 19 88-42	REAR WHEEL		2
16	542 19 88-43	HUB		2
17	576 65 48-06	SCREW EHHFM		8
18	542 19 88-78	HYDRAULIC MOTOR		2
19	541 20 49-91	ADAPTER		4
20	583 97 61-01	HYDRAULIC HOSE		1



SPEED CONTROL

FS5000, 2015-05

Ref	Part No	Description	Remark	QTY	KIT
1	724 12 85-51	SCREW		1	25
2	542 18 21-02	SWITCH		1	25
3	581 11 85-01	PLATE		1	25
4	542 18 21-46	BOOT		1	25
5	724 12 85-51	SCREW		2	25
6	583 95 95-01	CLAMP		4	25
7	725 24 65-51	SCREW EHHM		1	
8	734 11 63-01	WASHER		2	
9	732 25 18-01	HEXAGON LOCKING NUT		1	
10	579 74 50-01	ARM		1	
11	579 42 56-01	WASHER		1	
12	581 11 82-01	BRACKET		1	
13	581 06 89-01	BEARING BUSH		1	
14	542 18 31-24	KEY		4	
15	732 25 22-01	HEXAGON LOCKING NUT		1	
16	579 51 01-02	CABLE		1	
17	580 95 86-01	BRACKET		1	
18	585 97 31-01	SCREW EHHFM		2	
19	541 20 52-53	NUT		2	
20	542 16 64-66	ROD		2	
21	542 02 07-45	WASHER		1	
22	581 07 36-01	HARNESS ASSY		1	25
23	542 17 63-98	SWITCH		1	
24	505 63 45-01	WASHER		2	
25	587 81 20-01	HANDLE ASSY		1	



WATER PUMP

FS5000, 2015-05

Ref	Part No	Description	Remark	QTY	KIT
1	586 27 09-01	BRACKET		1	
2	542 19 96-37	WATER PUMP		1	
3	542 17 86-87	CONNECTOR		1	
4	542 19 96-58	HOSE		1	
5	539 30 00-11	HOSE CLAMP		1	
6	542 19 96-57	HOSE		1	
7	576 31 52-05	HOSE CLAMP		1	
8	542 02 02-96	TUBE		1	
9	541 20 45-91	PIPE		1	
10	541 20 46-61	CONNECTION		1	
11	542 09 05-52	PLATE		1	
12	542 19 96-48	SWITCH		1	
13	542 19 96-49	SWITCH		1	
14	539 30 01-13	RUBBER SHOE		1	
15	539 30 01-44	TERM., MALE DISCONNECT, 1/4"		1	
16	541 20 05-73	CONNECTION PIECE		1	
17	586 45 67-01	HARNESS ASSY		1	
18	586 45 66-01	HARNESS ASSY		1	
19	583 95 95-01	CLAMP		4	
20	542 16 69-06	TIE WRAP		7	
21	725 23 33-71	SCREW EHHM		4	
22	734 11 46-01	WASHER		4	
23	732 25 14-01	HEXAGON LOCKING NUT		4	
26	542 19 96-41	FILTER		1	
25	542 19 96-40	PUMP		1	
24	542 19 96-43	STRAINER SCREEN. W/P INLET FILTER		1	26